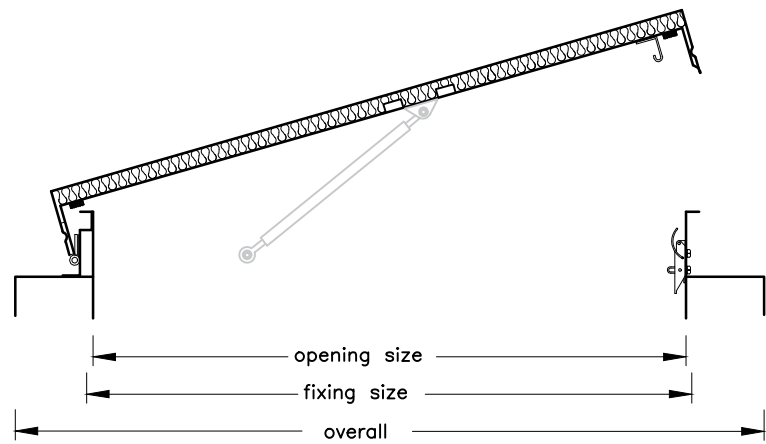
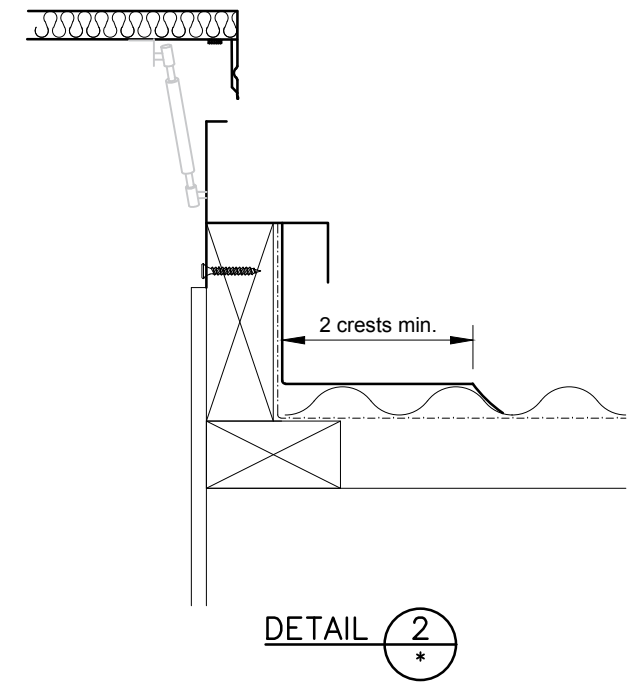
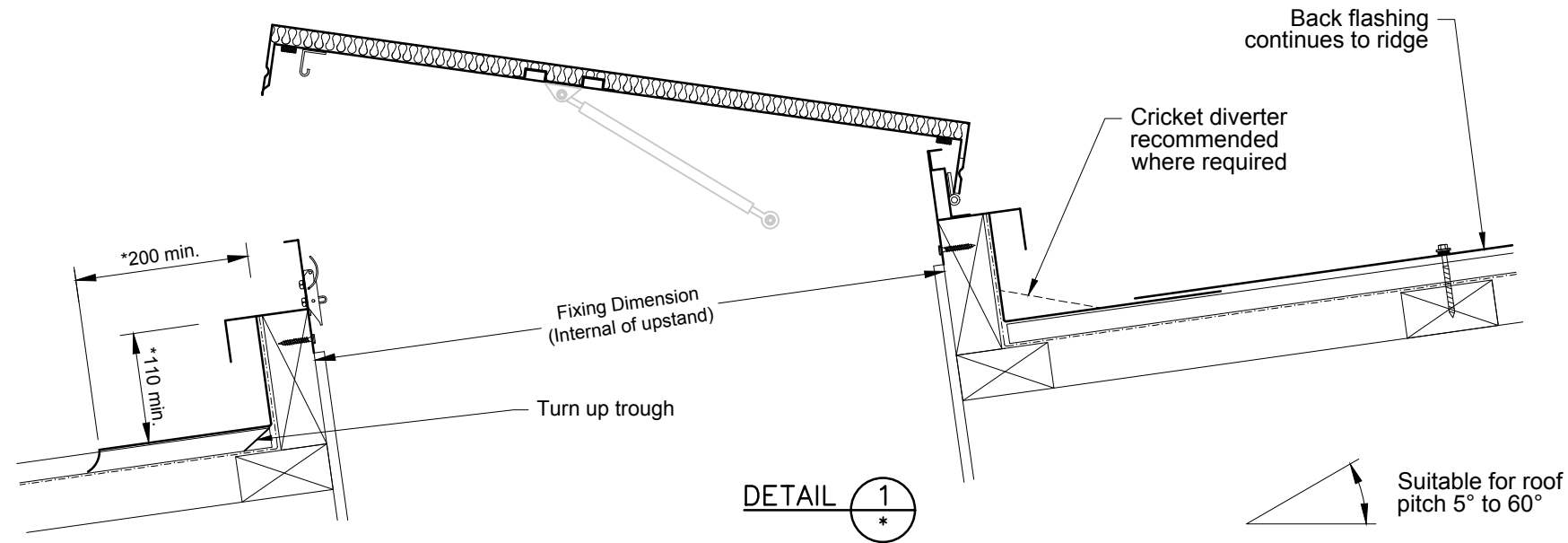
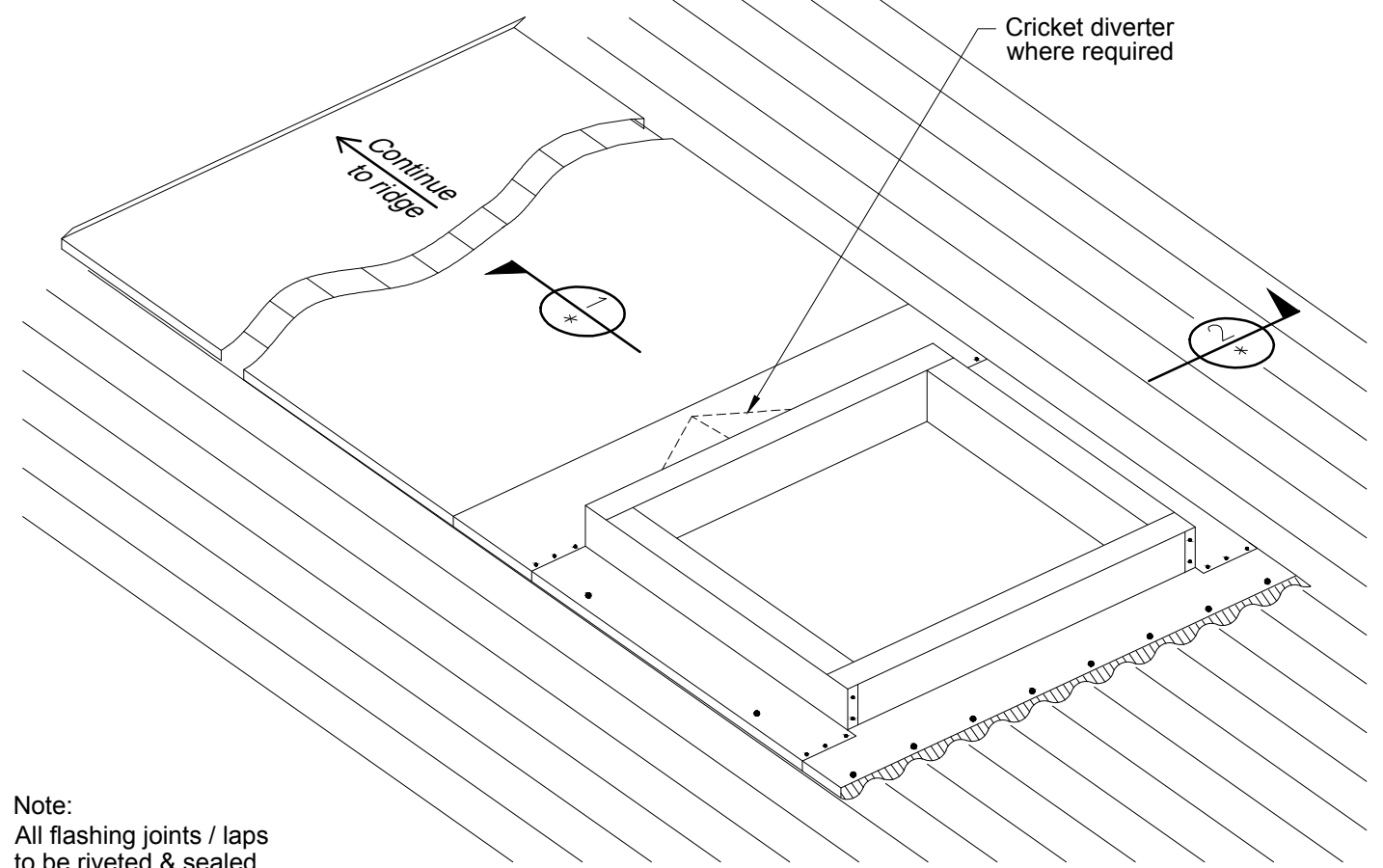


\* Dimensions to be in accordance with NZBC Clause E2

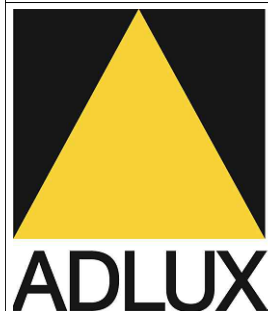


Hatch Door Pneumatic Stay							
Model No.	OPENING DIMENSION		FIXING DIMENSION		OVERALL DIMENSION		
HD66PN	660	x 660	665	x 665	840	x 840	
HD77PN	725	x 725	730	x 730	905	x 905	
HD88PN	800	x 800	805	x 805	980	x 980	
HD107PN	1000	x 725	1005	x 730	1180	x 905	
HD108PN	1000	x 800	1005	x 805	1180	x 980	
HD117PN	1100	x 725	1105	x 730	1280	x 905	
HD118PN	1100	x 800	1105	x 805	1280	x 980	
HD147PN	1370	x 650	1375	x 655	1550	x 830	
HD128PN	1275	x 780	1280	x 785	1455	x 960	

Not to scale, do not scale from drawing. All details are generic in nature and should be read in conjunction with the roofing manufacturers' standard penetration details.



Note:  
All flashing joints / laps to be riveted & sealed



ADLUX Industries Ltd. ©  
36 Olive Road, Penrose  
P.O. Box 13866, Auckland  
New Zealand.  
Ph: (09) 636 6866  
Fax: (09) 636 6846  
Email: sales@adlux.co.nz

## HATCH DOOR pneumatic stay CORRUGATED ROOFING PROFILE (Back Tray) PITCH 5° TO 60°

DATE: 23/04/19

DWG No: HDpn-CR-BT