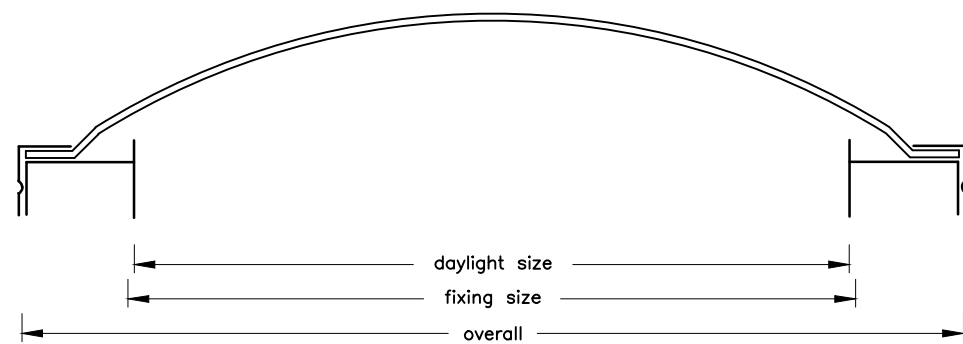
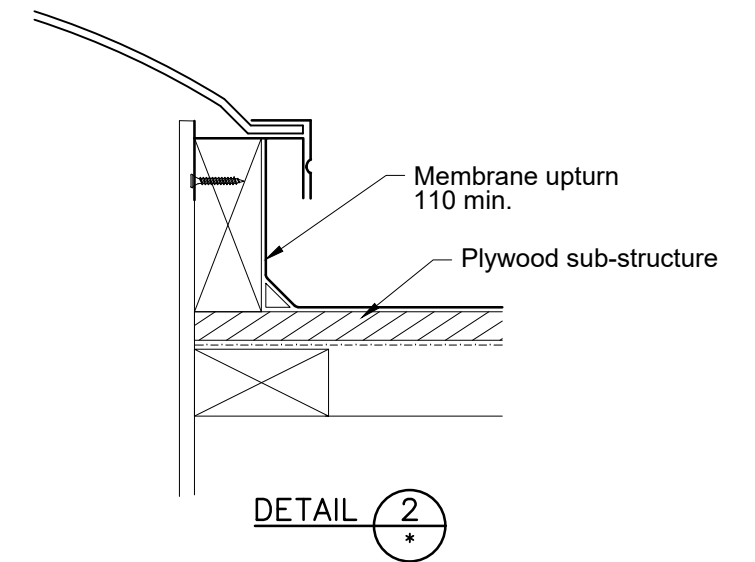


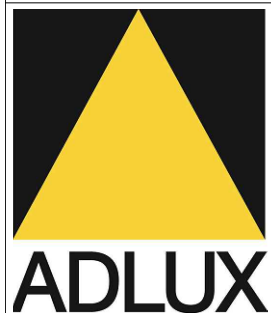
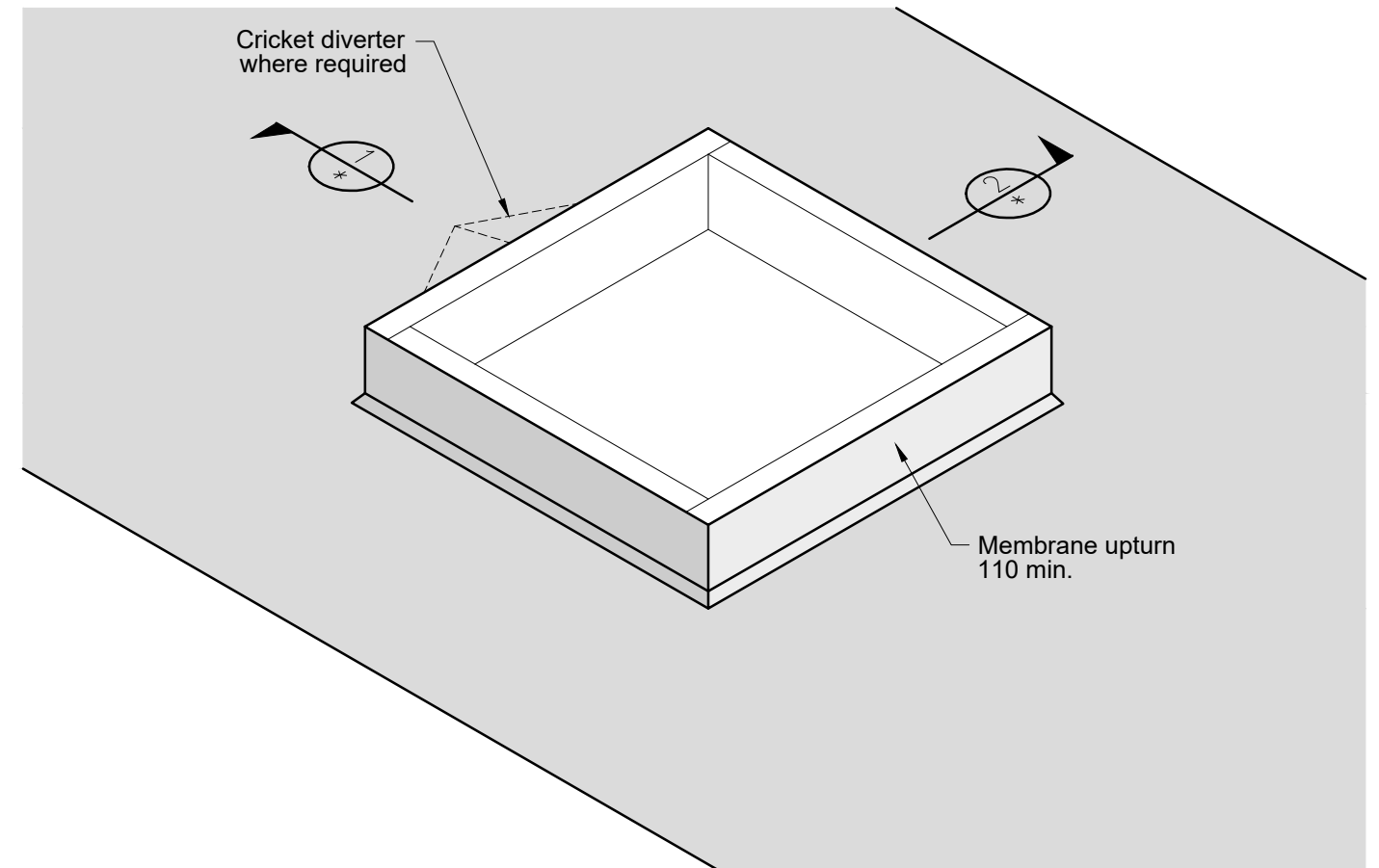
* Dimensions to be in accordance with NZBC Clause E2

Suitable for roof pitch 0° to 60°



Low Profile Non Vent									
Model No.	DAYLIGHT DIMENSION		FIXING DIMENSION		OVERALL DIMENSION				
LP430	415	x	415	420	x	420	595	x	595
LP600	600	x	600	605	x	605	780	x	780
LP725	720	x	720	725	x	725	900	x	900
LP743	720	x	415	725	x	420	900	x	595
LP815	815	x	815	820	x	820	995	x	995
LP1000	1015	x	1015	1020	x	1020	1195	x	1195
LP1043	1015	x	415	1020	x	420	1195	x	595
LP1072	1015	x	720	1020	x	725	1195	x	900

Not to scale, do not scale from drawing. All details are generic in nature and should be read in conjunction with the roofing manufacturers' standard penetration details.



ADLUX Industries Ltd. ©
 36 Olive Road, Penrose
 P.O. Box 13866, Auckland
 New Zealand.
 Ph: (09) 636 6866
 Fax: (09) 636 6846
 Email: sales@adlux.co.nz

LOW PROFILE non-vent MEMBRANE ROOFING PITCH 0° TO 60°

DATE: 21/04/19

DWG No: LP-MEM