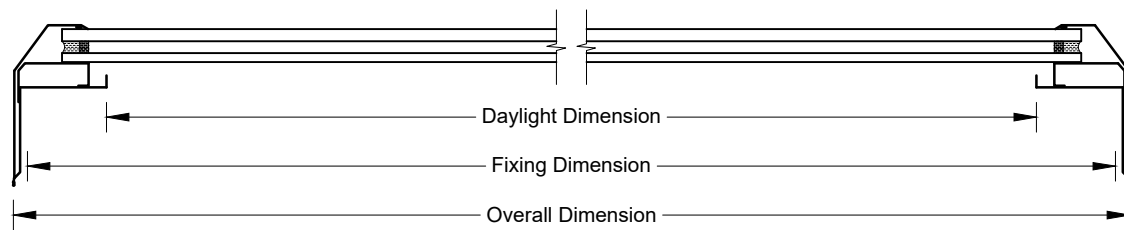
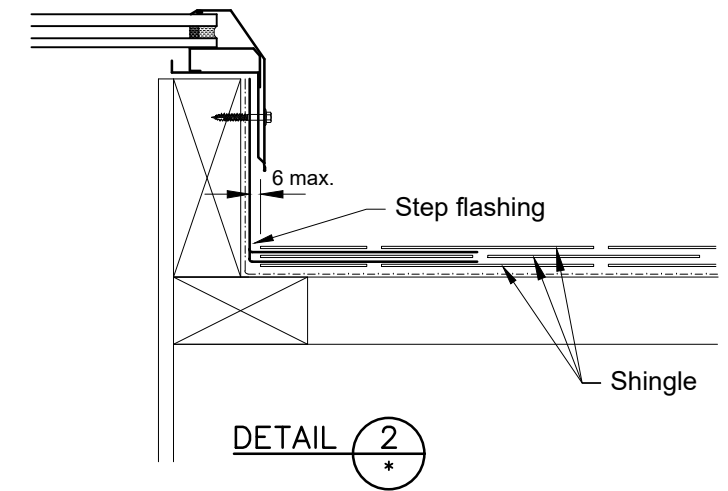
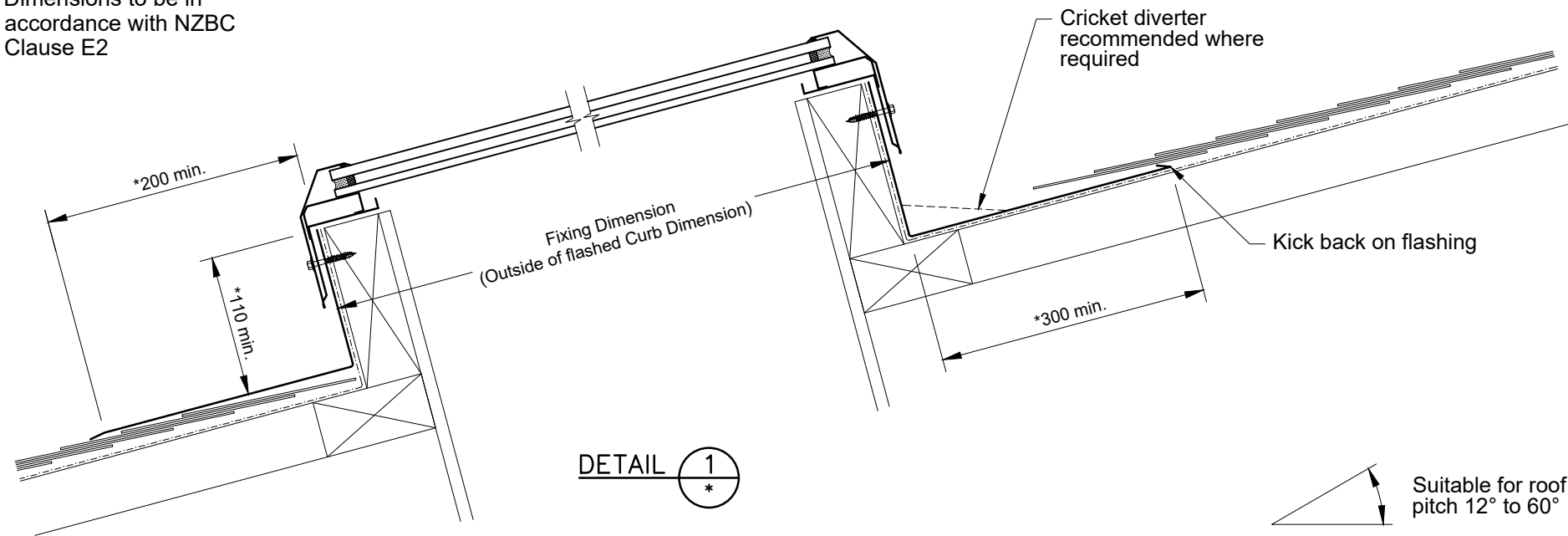
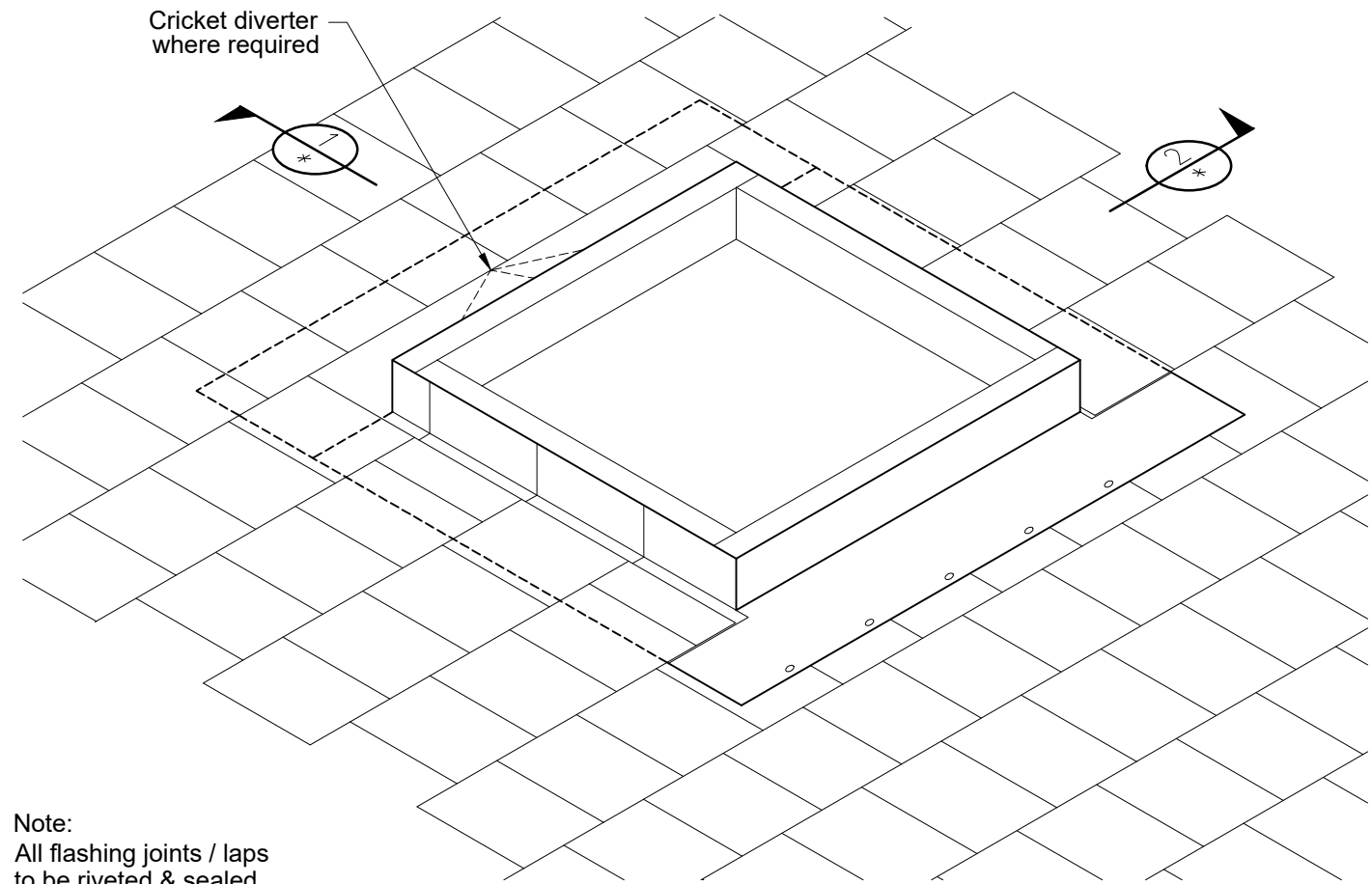


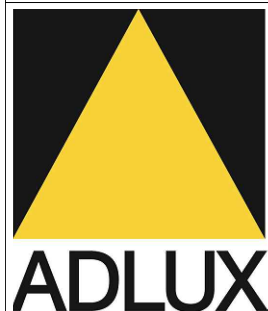
* Dimensions to be in accordance with NZBC Clause E2



Mega Roof Window (non-vent)			
Model No.	Daylight Dimension (mm)	Fixing Dimension (mm)	Overall Dimension (mm)
MRW1616	1535 x 1535	1635 x 1635	1660 x 1660
MRW2014	1890 x 1290	1990 x 1390	2015 x 1415
MRW2418	2275 x 1675	2375 x 1775	2400 x 1800
MRW3014	2890 x 1290	2990 x 1390	3015 x 1415



Not to scale, do not scale from drawing. All details are generic in nature and should be read in conjunction with the roofing manufacturers' standard penetration details.



ADLUX Industries Ltd. ©
36 Olive Road, Penrose
P.O. Box 13866, Auckland
New Zealand.
Ph: (09) 636 6866
Fax: (09) 636 6846
Email: sales@adlux.co.nz

MEGA ROOF WINDOW non-vent (Double Glazed)
SLATE / SHINGLE ROOFING TILE
PITCH 12° TO 60°

DATE: 13/02/19

DWG No: MRW-SL/SH