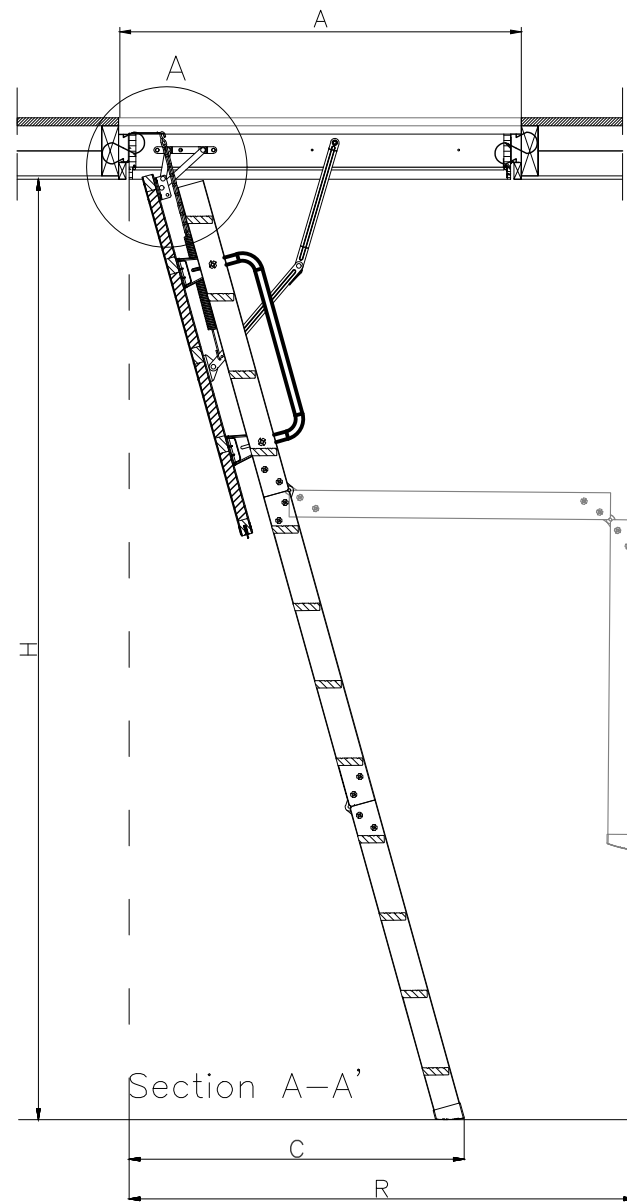
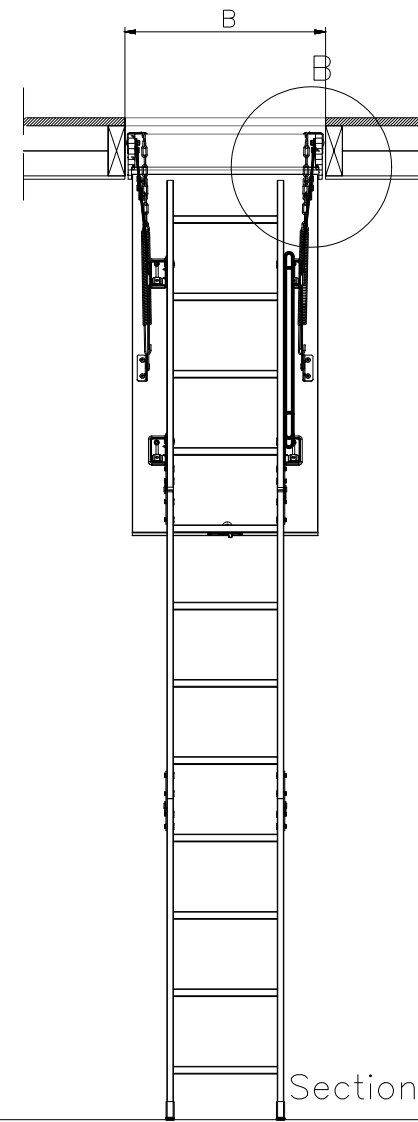


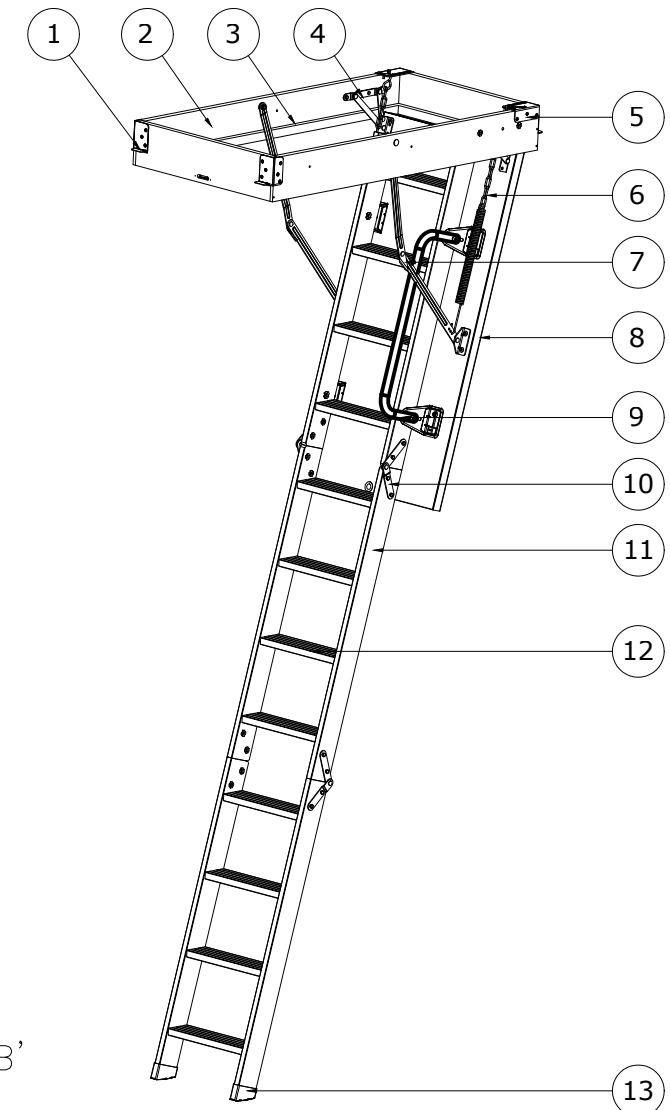
INDICATIVE SECTIONAL VIEW



Section A-A'

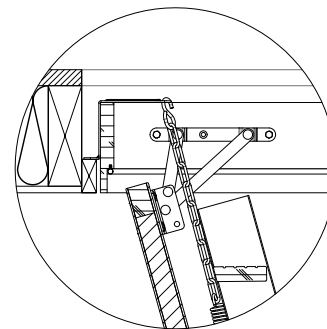


Section B-B'

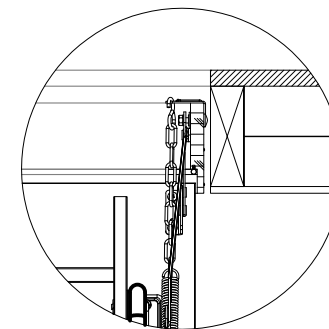


- 1. Flick-Fit Brackets
- 2. Framebox
- 3. Seal
- 4. Trapdoor Hinge
- 5. Corner Bracket
- 6. Chain with Spring
- 7. Hinge
- 8. HDF Trapdoor
- 9. Handrail with mounting brackets
- 10. Ladder Hinge
- 11. Ladder Stile
- 12. Retreading Rung
- 13. Plastic Feet

Keylite Product Code	KYL01	KYL06
A x B	550x1000	600x1200
Frame external dimension - (mm)	530x940	580x1140
Number of ladder sections	4	4
C (mm)	1025	1145
R (mm)	1300	1605
H (mm)	2800	3200



Detail A



Detail B



ADLUX Industries Ltd. ©
 36 Olive Road, Penrose
 P.O. Box 13866, Auckland.
 New Zealand.
 Ph: (09) 636 6866
 Fax: (09) 636 6846
 email: sales@adlux.co.nz

Keylite Loft Ladder - 4 segment

DATE: 14/02/19

DWG No: KYL-4SEG