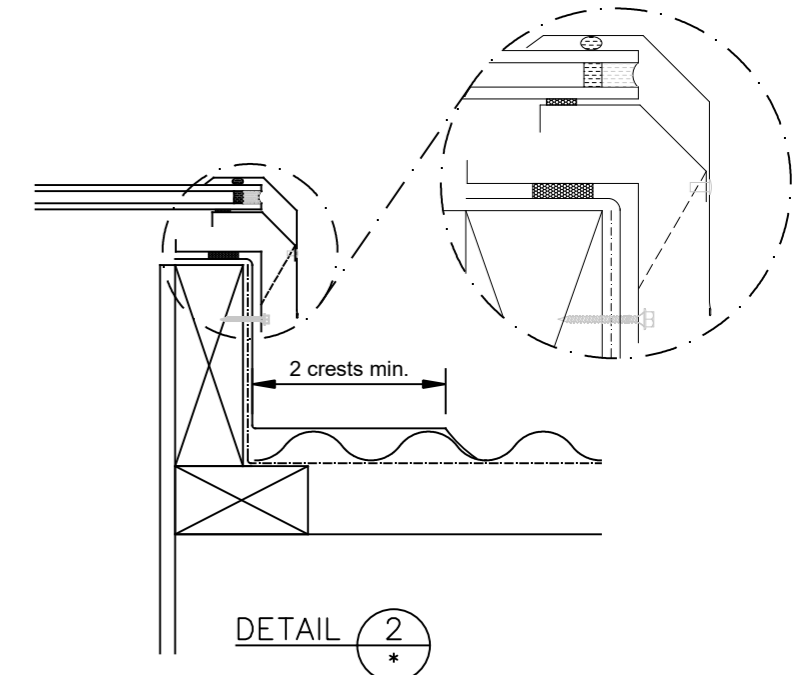
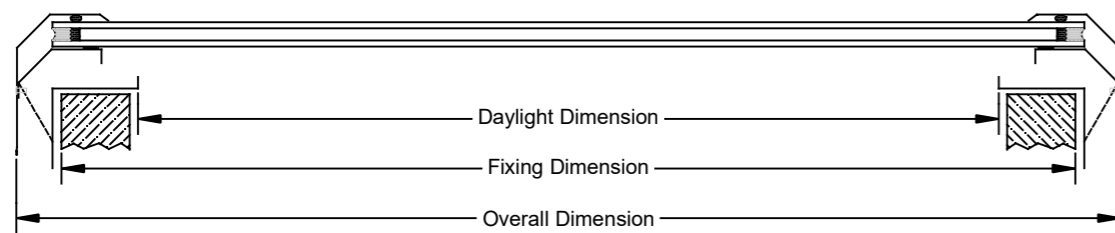


* Dimensions to be in accordance with NZBC Clause E2

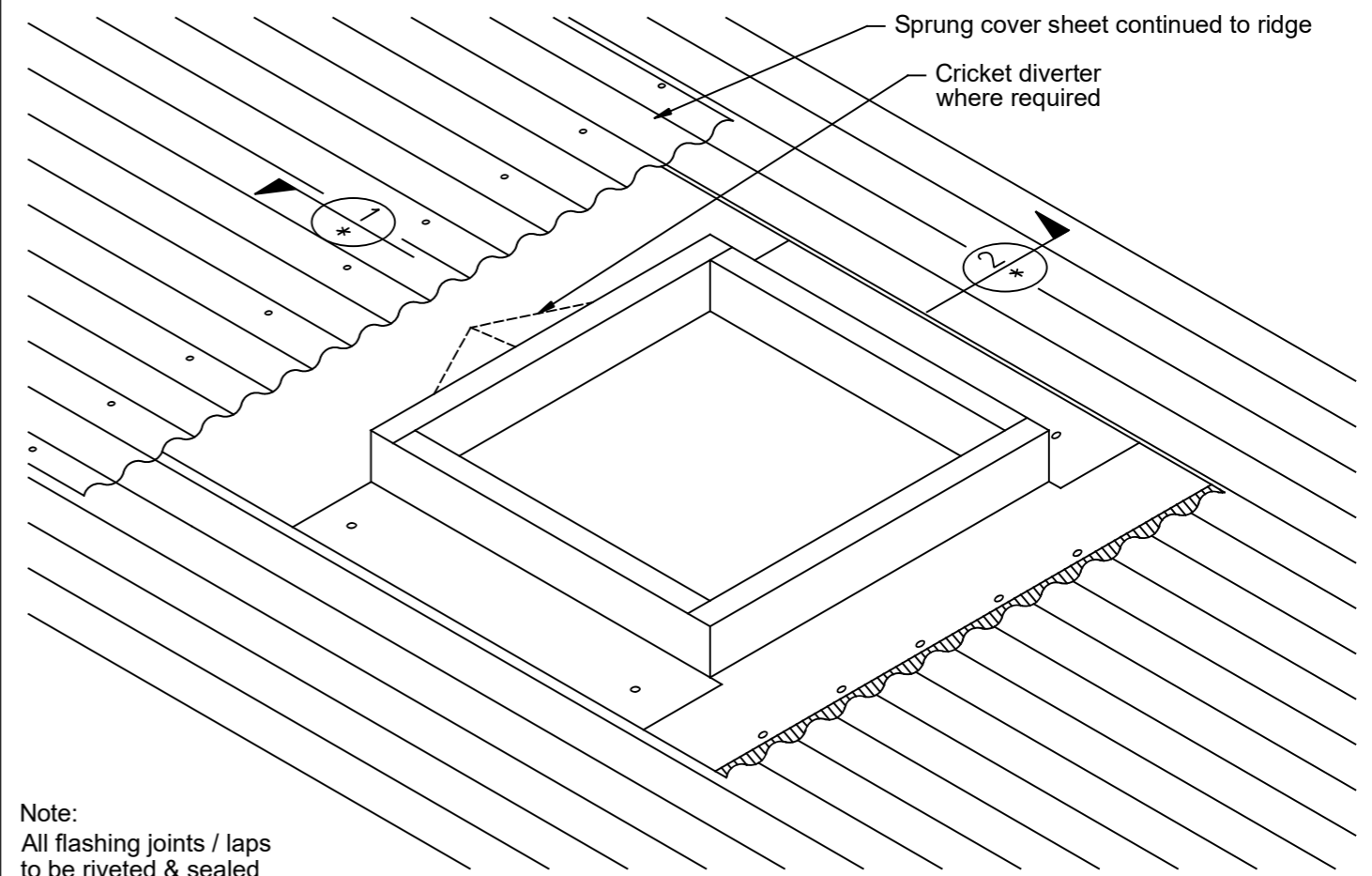
DETAIL 1



DETAIL 2



Model No.	Daylight Dimension (mm)	Fixing Dimension (mm)	Overall Dimension (mm)	Ventilation Area (m ²)
RWv77	515 x 515	615 x 615	690 x 690	0.057
RWv86	560 x 410	660 x 510	735 x 585	0.054
RWv99	720 x 720	820 x 820	895 x 895	0.073
RWv106	840 x 410	940 x 510	1015 x 585	0.066
RWv107	840 x 515	940 x 615	1015 x 690	0.070
RWv108	840 x 640	940 x 740	1015 x 815	0.075
RWv128	1040 x 640	1140 x 740	1215 x 815	0.083
RWv137	1125 x 515	1225 x 615	1300 x 690	0.081
RWv139	1125 x 720	1225 x 820	1300 x 895	0.091
RWv148	1260 x 640	1360 x 740	1435 x 815	0.092
RWv197	1720 x 515	1820 x 615	1895 x 690	0.106
RWv1010	840 x 840	940 x 940	1015 x 1015	0.084
RWv1212	1040 x 1000	1140 x 1100	1215 x 1175	0.097
RWv1313	1125 x 1125	1225 x 1225	1300 x 1300	0.106
RWv1412	1260 x 1000	1360 x 1100	1435 x 1175	0.106



Not to scale, do not scale from drawing. All details are generic in nature and should be read in conjunction with the roofing manufacturers' standard penetration details.



ADLUX Industries Ltd. ©
 36 Olive Road, Penrose
 P.O. Box 13866, Auckland
 New Zealand.
 Ph: (09) 636 6866
 Fax: (09) 636 6846
 Email: sales@adlux.co.nz

**ROOF WINDOW vent (Double Glazed)
 CORRUGATED ROOFING PROFILE (Sprung Sheet)
 PITCH 5° TO 60°**

DATE: 27/11/2020

DWG No: RWv-CR-SS