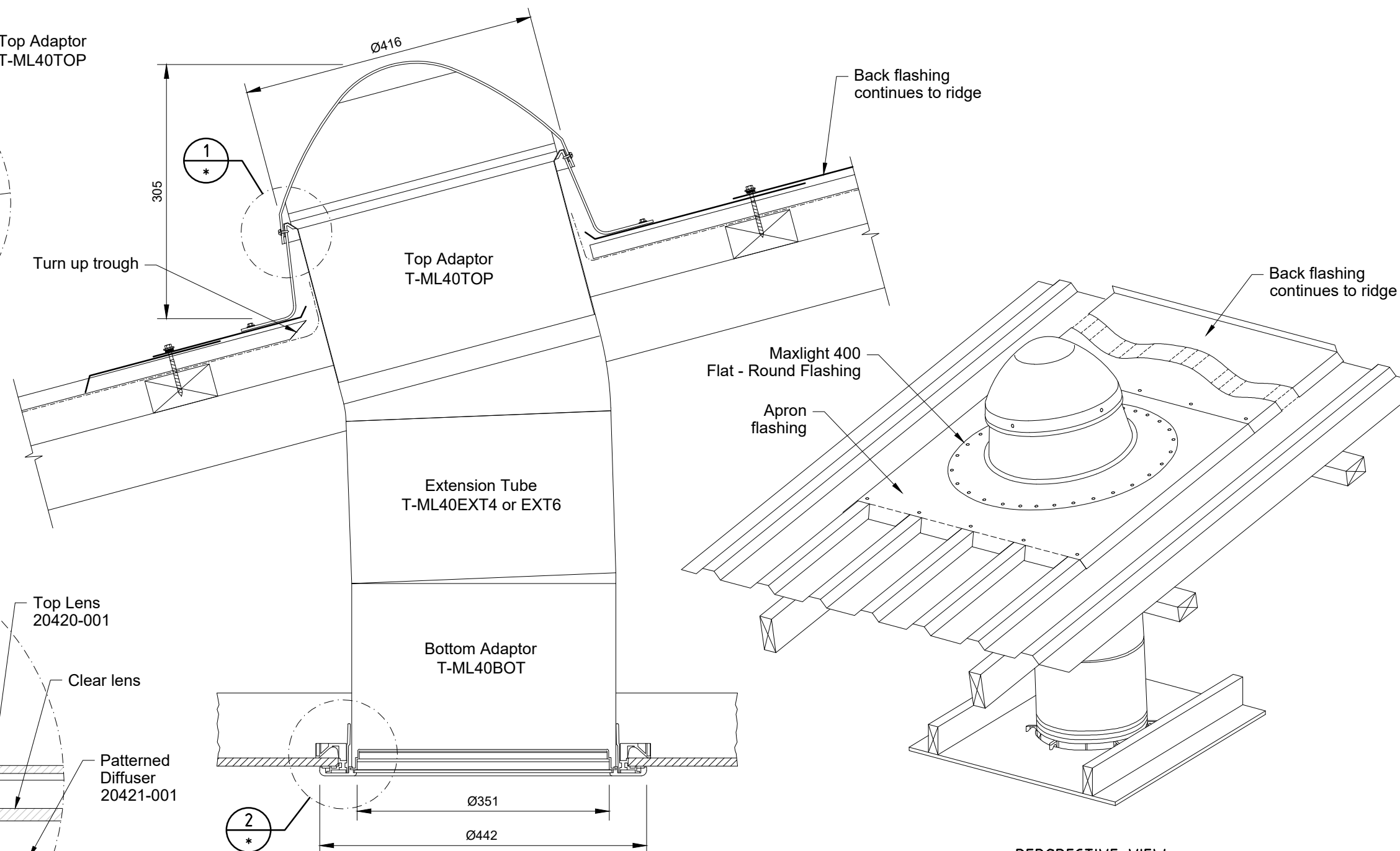
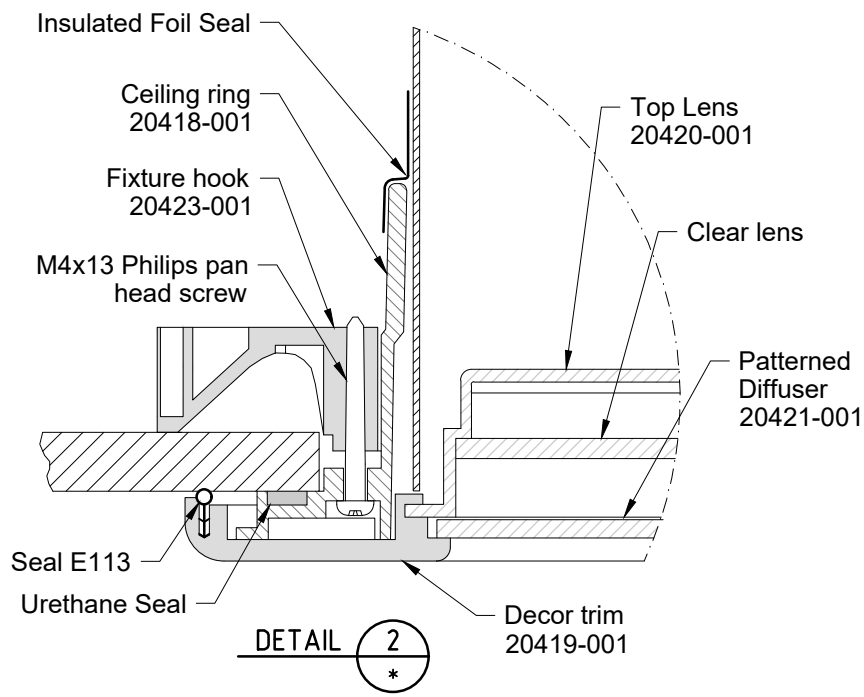


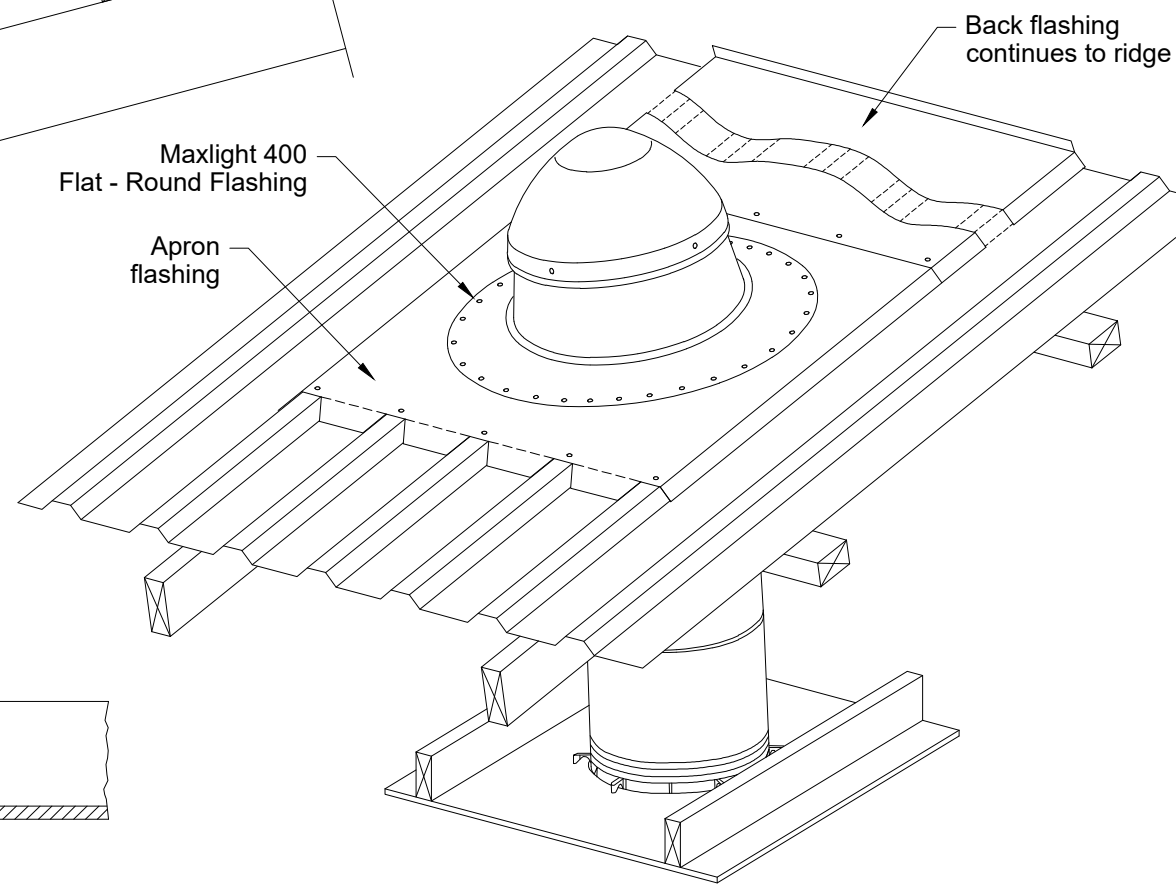
DETAIL 1



TYPICAL SECTION



DETAIL 2

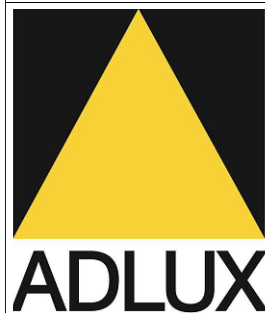


PERSPECTIVE VIEW

Suitable for Pitch 3° to 60°

Note:
All flashing joins / laps
to be riveted & sealed

Not to scale, do not scale from drawing



ADLUX Industries Ltd. ©
36 Olive Road, Penrose
P.O. Box 13866, Auckland.
New Zealand.
Ph: (09) 636 6866 Fax:
(09) 636 6846 email:
sales@adlux.co.nz

Internal check box - non-print
Project No. : Z137
Issue No. : 2
Status : Prelim.
Rev No. : 1
Date : 21.09.18

MAXLIGHT 400H UNIVERSAL TRAPEZOID ROOFING PROFILE (Back Tray) PITCH 3° TO 60°

DATE: 21/09/18

DWG No: ML40-UTZ