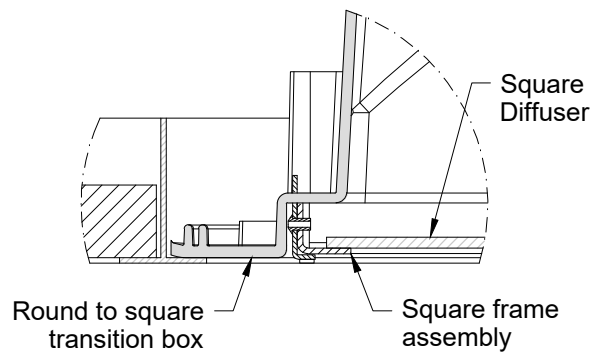
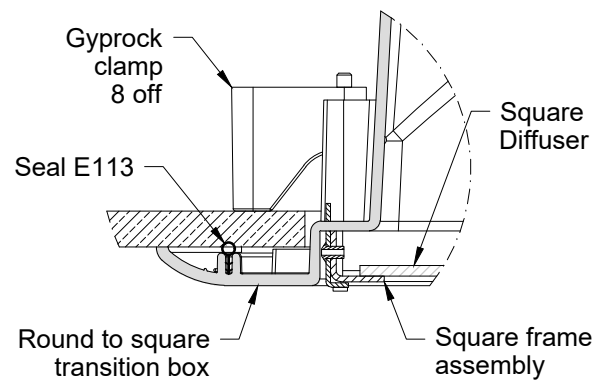


DETAIL 1

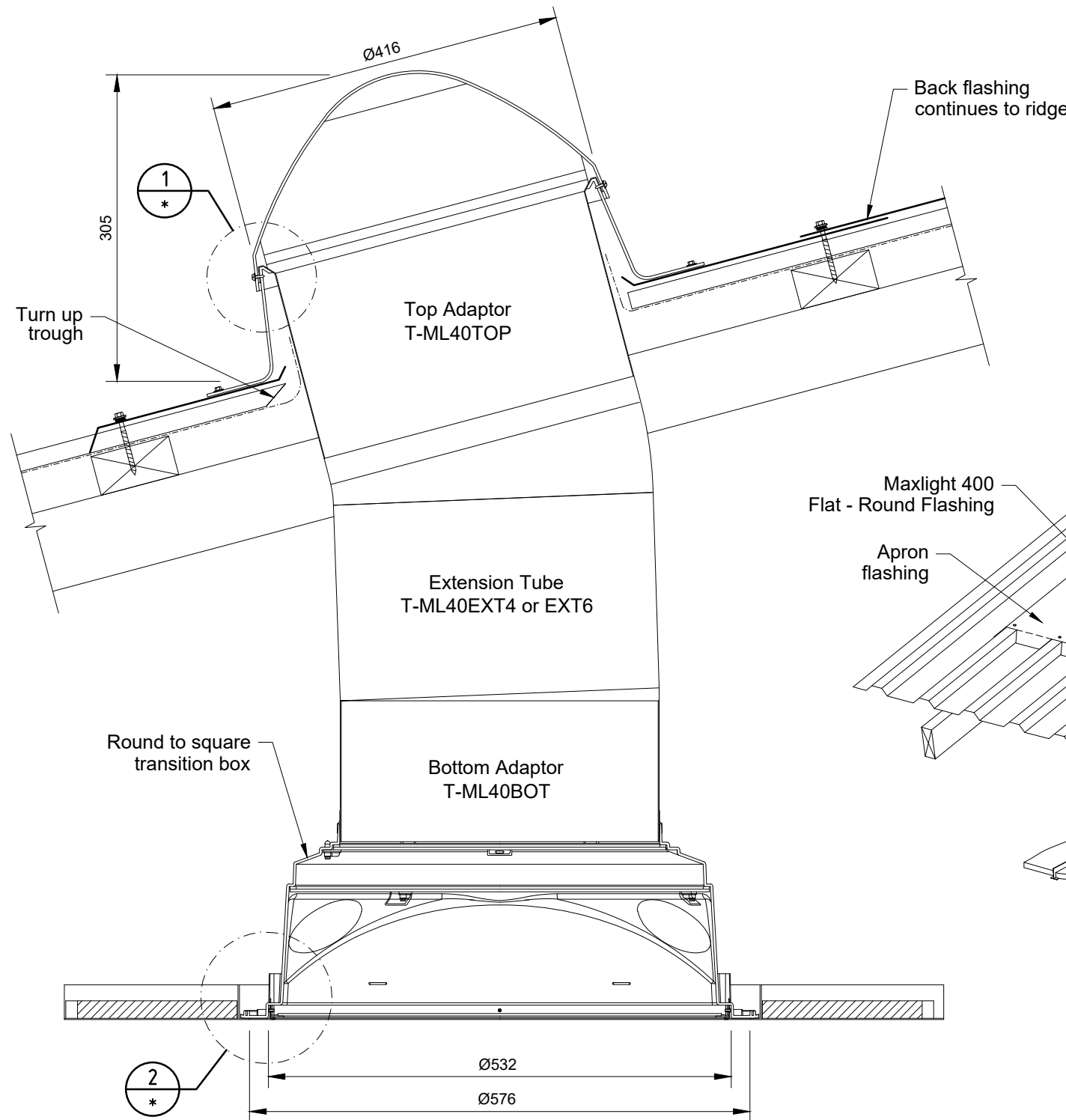
Suspended Ceiling Grid Detail



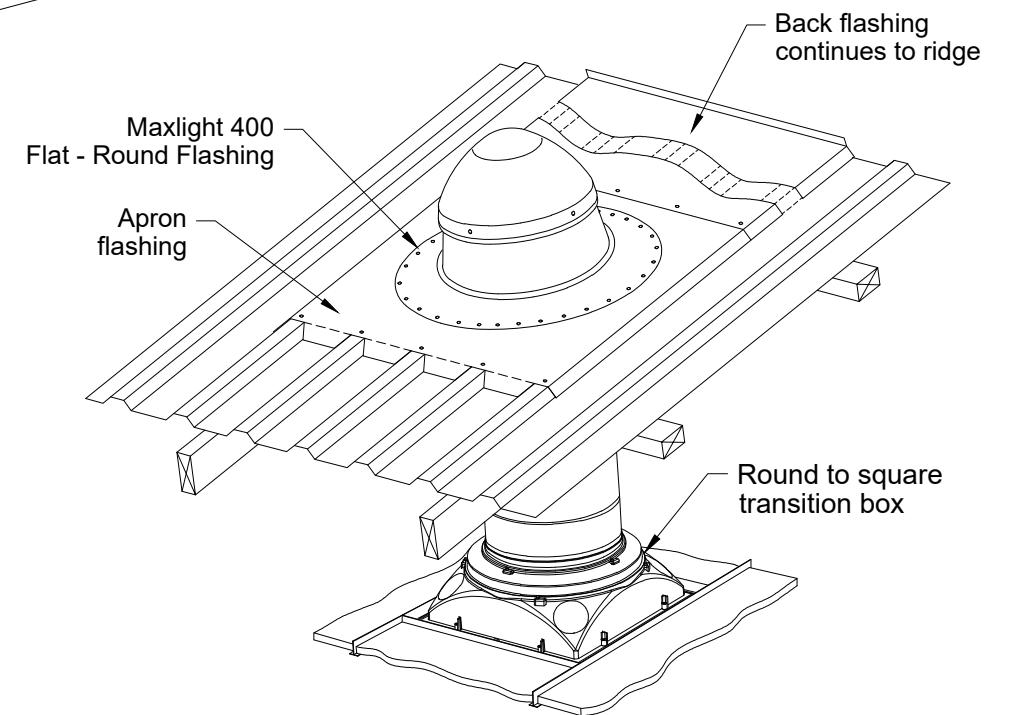
Plasterboard Ceiling Detail



DETAIL 2



TYPICAL SECTION

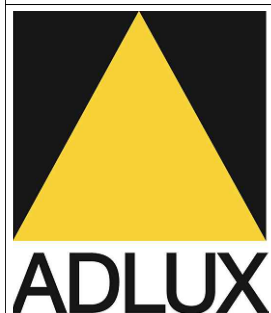


PERSPECTIVE VIEW

Suitable for Pitch 3° to 60°

Note: All flashing joins / laps to be riveted & sealed

Not to scale, do not scale from drawing



ADLUX Industries Ltd. ©
 36 Olive Road, Penrose
 P.O. Box 13866, Auckland.
 New Zealand.
 Ph: (09) 636 6866 Fax:
 (09) 636 6846 email:
 sales@adlux.co.nz

Internal check box - non-print
 Project No. : Z137
 Issue No. : 4
 Status : Prelim.
 Rev No. : 3
 Date : 27.09.18

MAXLIGHT 400H (HYBRID)
 UNIVERSAL - TRAPEZOID ROOFING PROFILE (Back Tray)
 PITCH 3° TO 60°

DATE: 27/09/18

DWG No: ML40H-UTZ