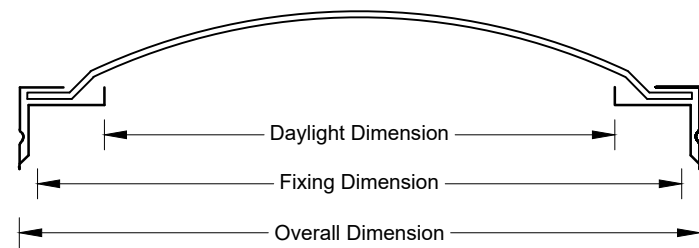
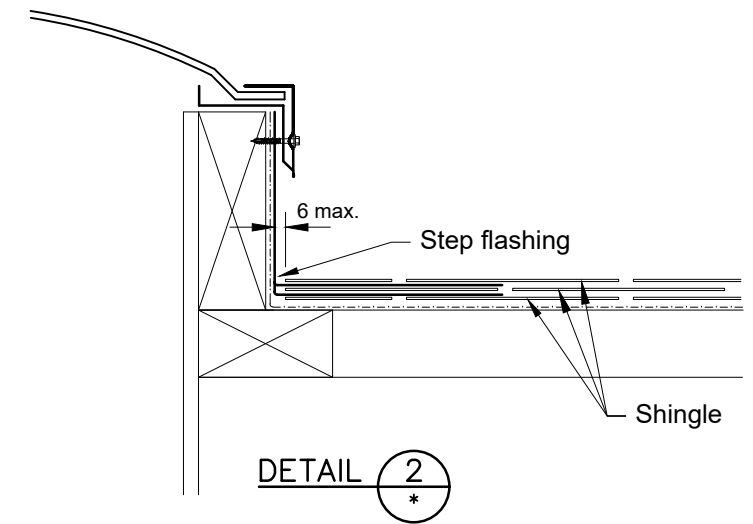
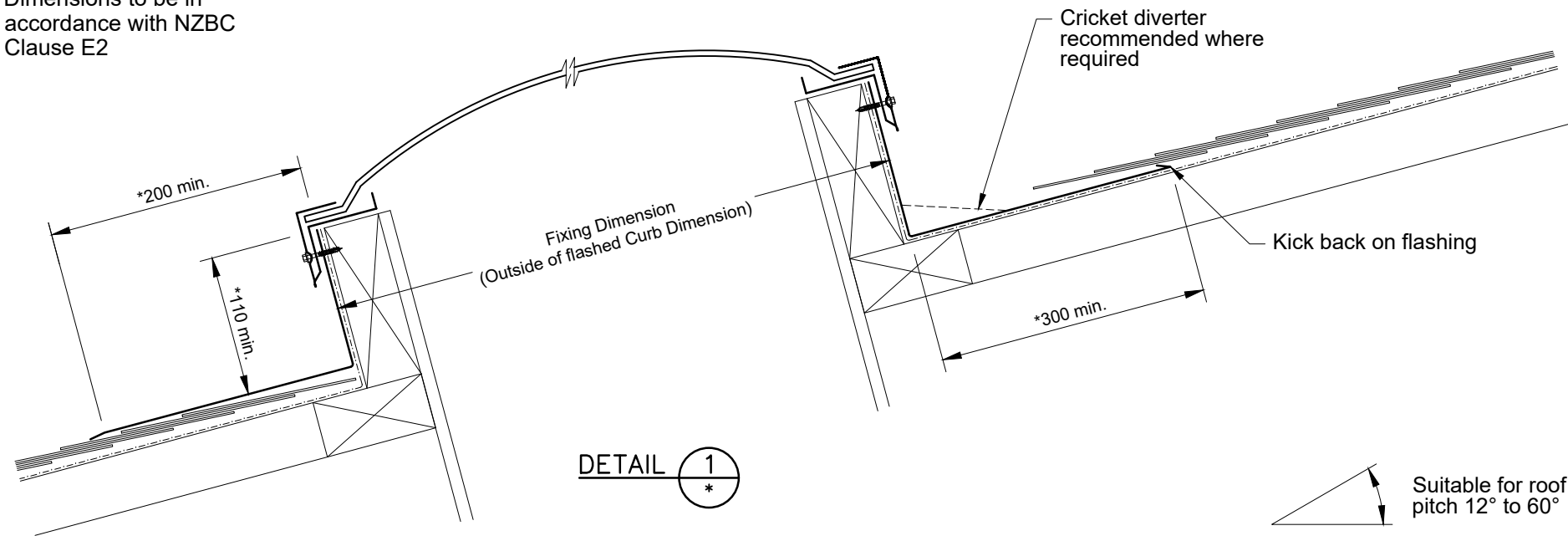
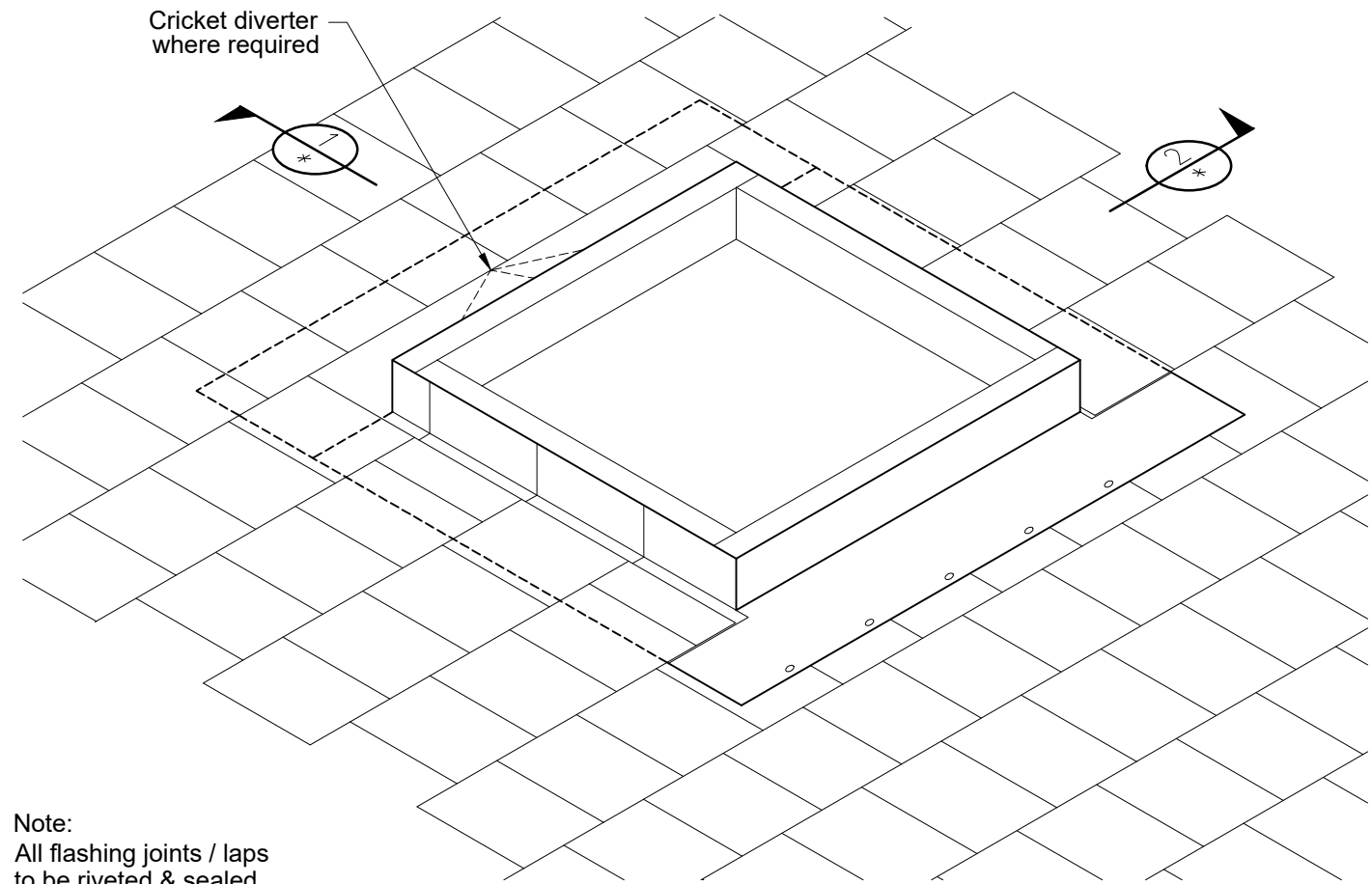


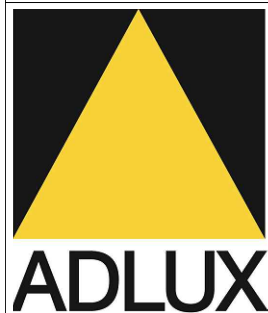
\* Dimensions to be in accordance with NZBC Clause E2



Spanlite / Giant Dome (non-vent)			
Model No.	Daylight Dimension (mm)	Fixing Dimension (mm)	Overall Dimension (mm)
<b>SP500</b>	500 x 500	610 x 610	630 x 630
<b>SP800</b>	800 x 800	910 x 910	930 x 930
<b>SP1000</b>	1000 x 1000	1110 x 1110	1130 x 1130
<b>SP1200</b>	1200 x 1200	1310 x 1310	1330 x 1330
<b>SP1810</b>	1800 x 1000	1910 x 1110	1930 x 1130
<b>GD1616</b>	1525 x 1525	1635 x 1635	1655 x 1655
<b>GD2014</b>	1885 x 1285	1995 x 1395	2015 x 1415
<b>GD2020</b>	1835 x 1835	1945 x 1945	1965 x 1965
<b>GD2418</b>	2270 x 1670	2380 x 1780	2400 x 1800
<b>GD2520</b>	2370 x 1835	2480 x 1945	2500 x 1965
<b>GD2118</b>	2670 x 1670	2780 x 1780	2800 x 1800



Not to scale, do not scale from drawing. All details are generic in nature and should be read in conjunction with the roofing manufacturers' standard penetration details.



ADLUX Industries Ltd. ©  
 36 Olive Road, Penrose  
 P.O. Box 13866, Auckland  
 New Zealand.  
 Ph: (09) 636 6866  
 Fax: (09) 636 6846  
 Email: sales@adlux.co.nz

**SPANLITE / GIANT DOME non-vent  
 SLATE / SHINGLE ROOFING TILE  
 PITCH 12° TO 60°**

DATE: 13/02/19

DWG No: SP/GD-SL-SH