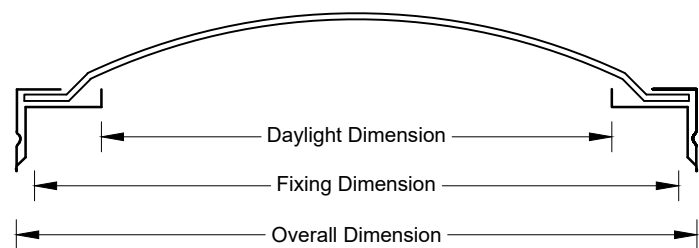
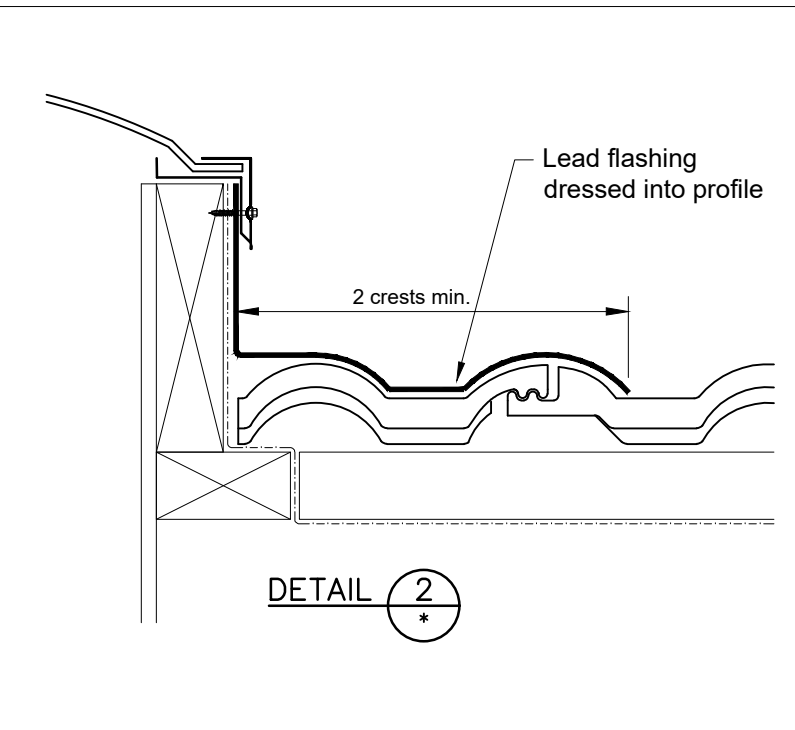
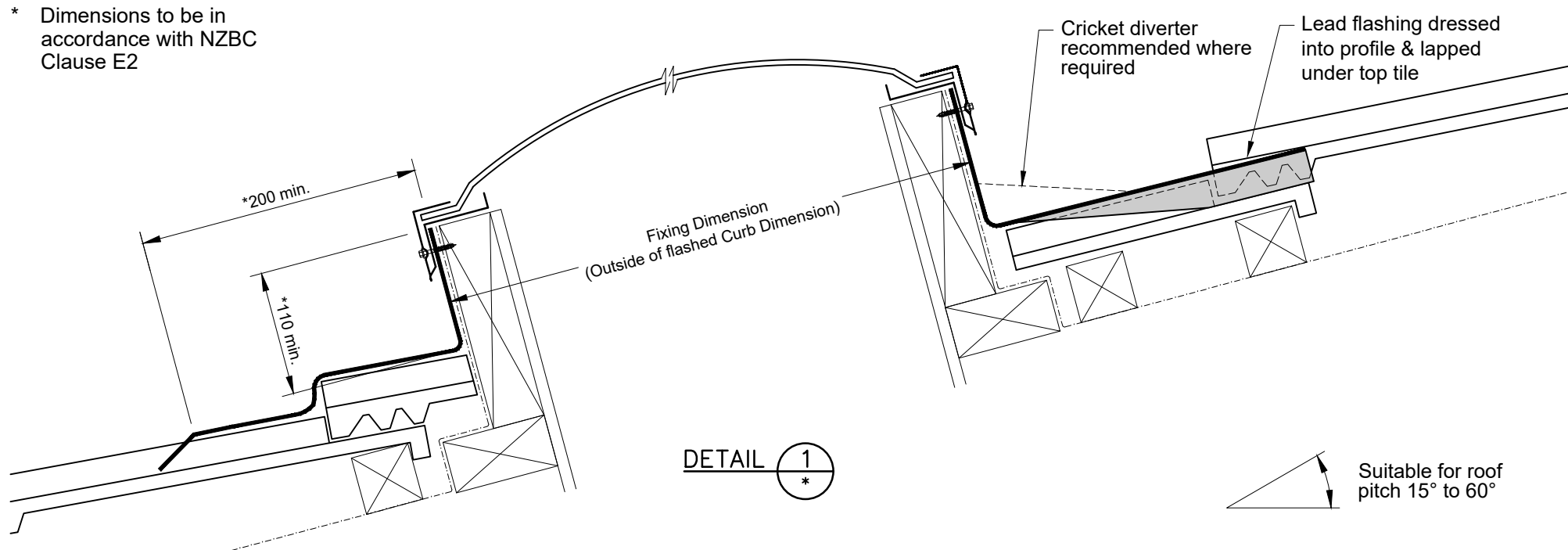
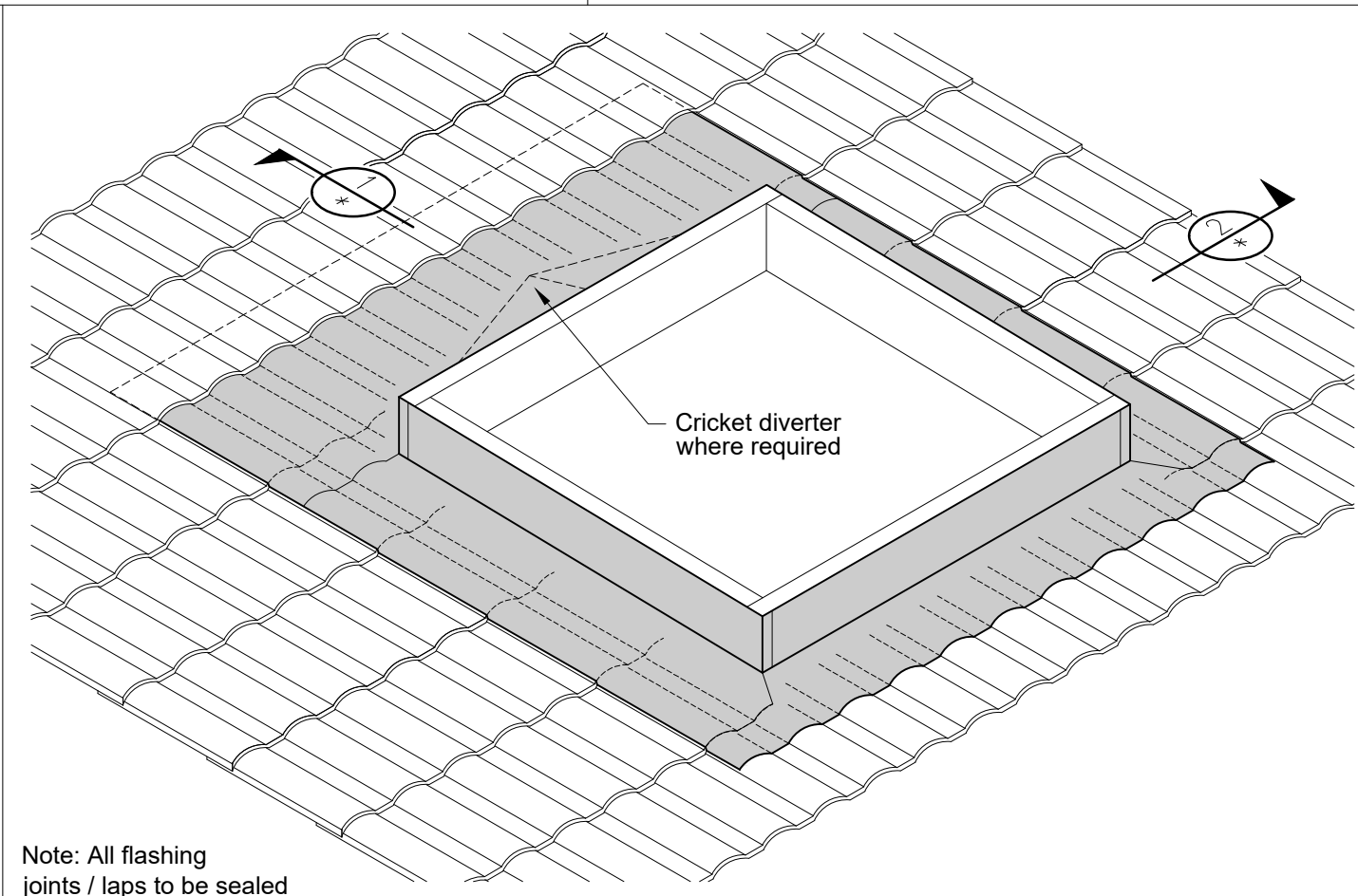


* Dimensions to be in accordance with NZBC Clause E2



Spanlite / Giant Dome (non-vent)			
Model No.	Daylight Dimension (mm)	Fixing Dimension (mm)	Overall Dimension (mm)
SP500	500 x 500	610 x 610	630 x 630
SP800	800 x 800	910 x 910	930 x 930
SP1000	1000 x 1000	1110 x 1110	1130 x 1130
SP1200	1200 x 1200	1310 x 1310	1330 x 1330
SP1810	1800 x 1000	1910 x 1110	1930 x 1130
GD1616	1525 x 1525	1635 x 1635	1655 x 1655
GD2014	1885 x 1285	1995 x 1395	2015 x 1415
GD2020	1835 x 1835	1945 x 1945	1965 x 1965
GD2418	2270 x 1670	2380 x 1780	2400 x 1800
GD2520	2370 x 1835	2480 x 1945	2500 x 1965
GD2118	2670 x 1670	2780 x 1780	2800 x 1800



Not to scale, do not scale from drawing. All details are generic in nature and should be read in conjunction with the roofing manufacturers' standard penetration details.



ADLUX Industries Ltd. ©
 36 Olive Road, Penrose
 P.O. Box 13866, Auckland
 New Zealand.
 Ph: (09) 636 6866
 Fax: (09) 636 6846
 Email: sales@adlux.co.nz

**SPANLITE / GIANT DOME non-vent
 CONCRETE ROOFING TILE (Lead Flashing)
 PITCH 15° TO 60°**

DATE: 13/02/19

DWG No: SP/GD-CT-LD