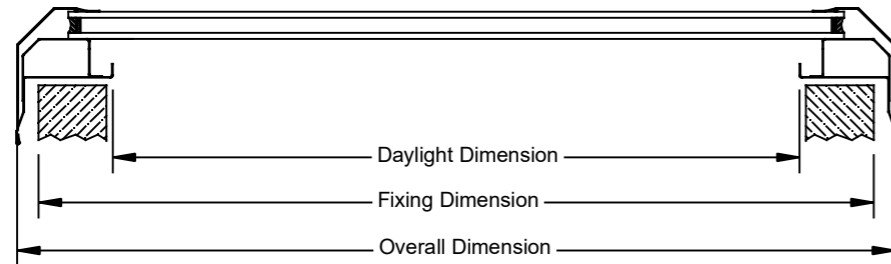
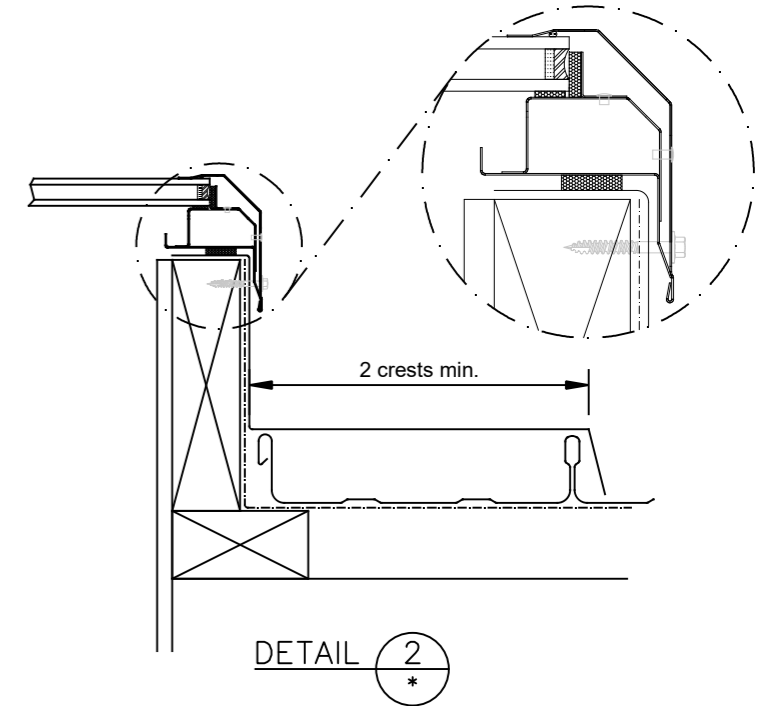
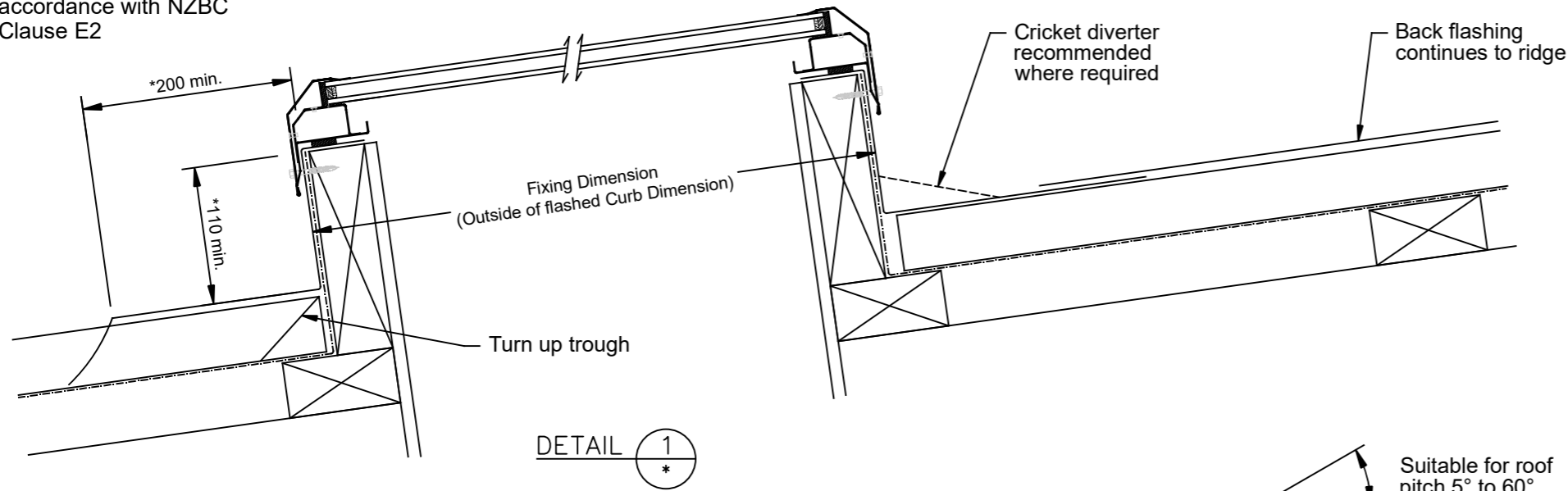
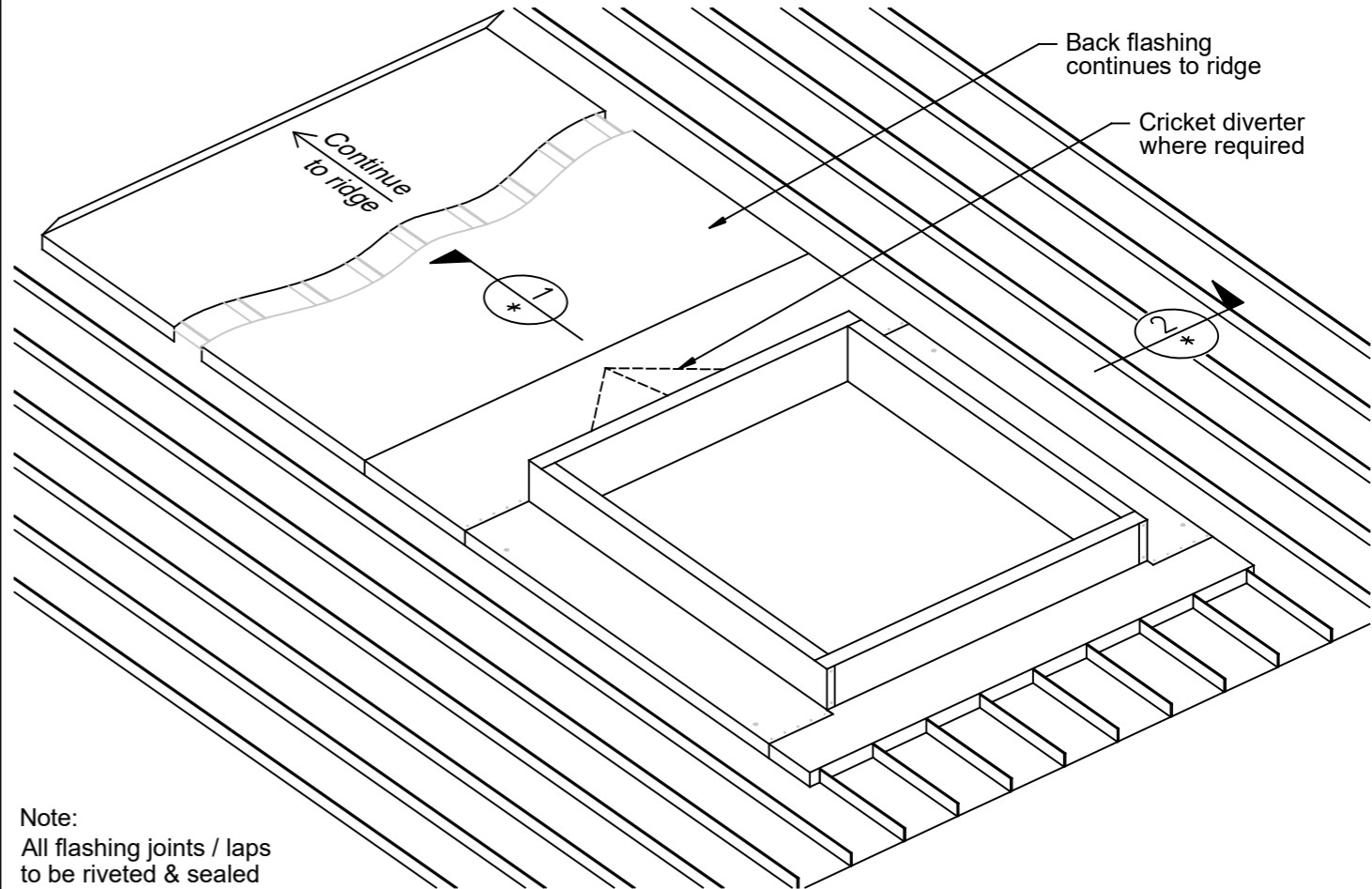


\* Dimensions to be in accordance with NZBC Clause E2



Roof Window (non-vent)			
Model No.	Daylight Dimension (mm)	Fixing Dimension (mm)	Overall Dimension (mm)
RW77	580 x 580	680 x 680	705 x 705
RW86	625 x 475	725 x 575	750 x 600
RW99	785 x 785	885 x 885	910 x 910
RW106	905 x 475	1005 x 575	1030 x 600
RW107	905 x 580	1005 x 680	1030 x 705
RW108	905 x 705	1005 x 805	1030 x 830
RW128	1105 x 705	1205 x 805	1230 x 830
RW137	1190 x 580	1290 x 680	1315 x 705
RW139	1190 x 785	1290 x 885	1315 x 910
RW148	1325 x 705	1425 x 805	1450 x 830
RW197	1785 x 580	1885 x 680	1910 x 705
RW1010	905 x 905	1005 x 1005	1030 x 1030
RW1212	1105 x 1065	1205 x 1165	1230 x 1190
RW1313	1190 x 1190	1290 x 1290	1315 x 1315
RW1412	1325 x 1065	1425 x 1165	1450 x 1190



Note:  
All flashing joints / laps to be riveted & sealed

Not to scale, do not scale from drawing. All details are generic in nature and should be read in conjunction with the roofing manufacturers' standard penetration details.



ADLUX Industries Ltd. ©  
36 Olive Road, Penrose  
P.O. Box 13866, Auckland  
New Zealand.  
Ph: (09) 636 6866  
Fax: (09) 636 6846  
Email: sales@adlux.co.nz

**ROOF WINDOW non-vent (Double Glazed)  
TROUGH SECTION PROFILE (Back Tray)  
PITCH 5° TO 60°**

DATE: 23/09/20

DWG No: RW-TR-BT

