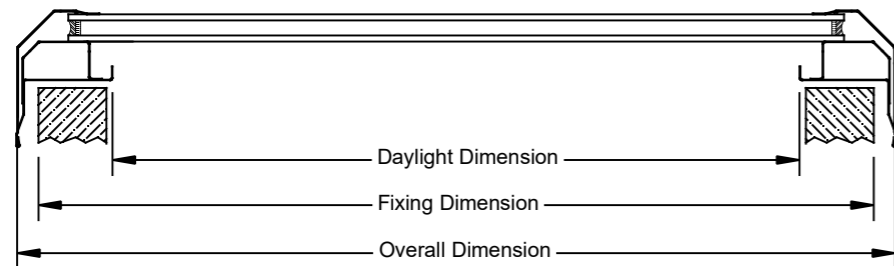
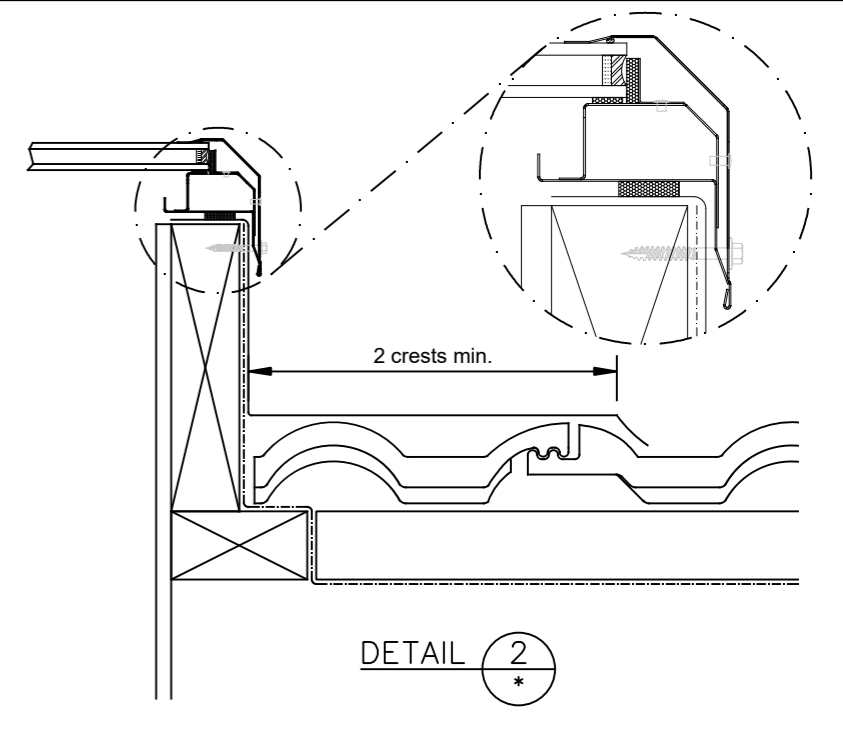
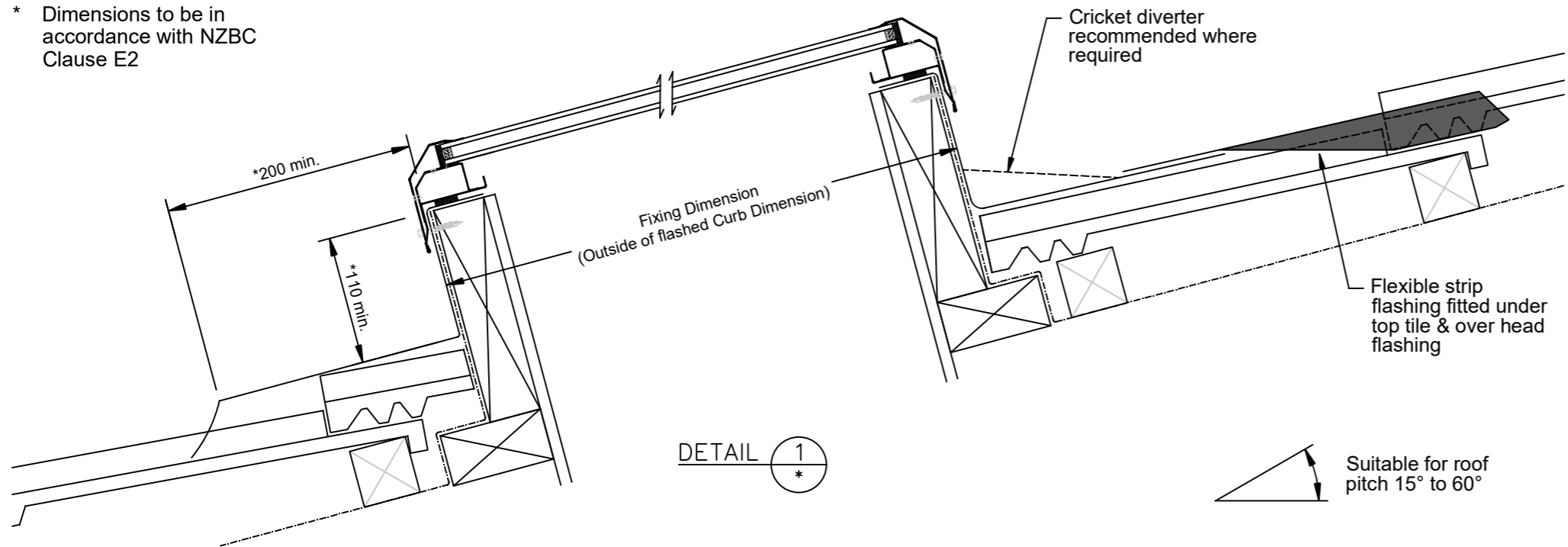
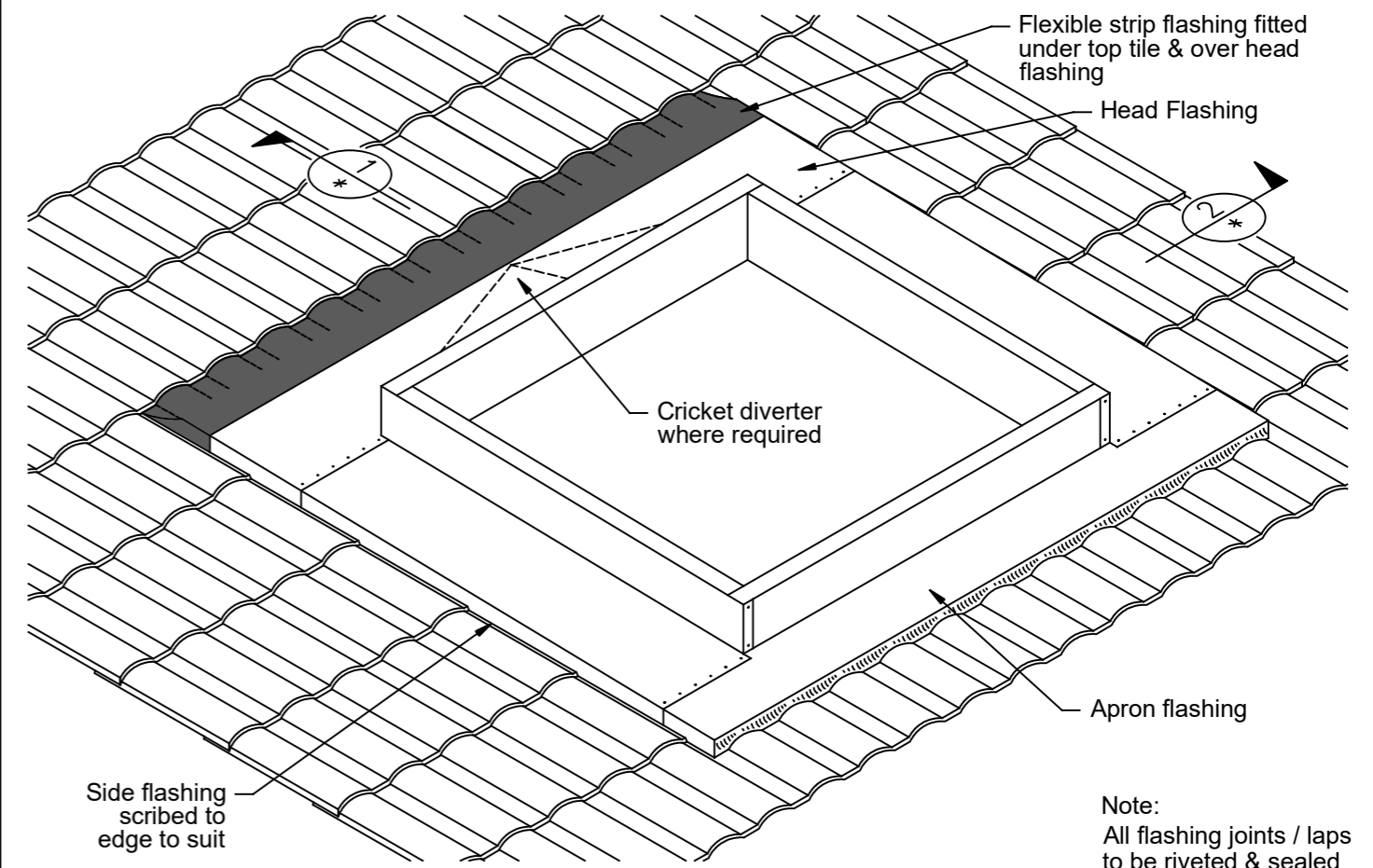


\* Dimensions to be in accordance with NZBC Clause E2



Roof Window (non-vent)			
Model No.	Daylight Dimension (mm)	Fixing Dimension (mm)	Overall Dimension (mm)
RW77	580 x 580	680 x 680	705 x 705
RW86	625 x 475	725 x 575	750 x 600
RW99	785 x 785	885 x 885	910 x 910
RW106	905 x 475	1005 x 575	1030 x 600
RW107	905 x 580	1005 x 680	1030 x 705
RW108	905 x 705	1005 x 805	1030 x 830
RW128	1105 x 705	1205 x 805	1230 x 830
RW137	1190 x 580	1290 x 680	1315 x 705
RW139	1190 x 785	1290 x 885	1315 x 910
RW148	1325 x 705	1425 x 805	1450 x 830
RW197	1785 x 580	1885 x 680	1910 x 705
RW1010	905 x 905	1005 x 1005	1030 x 1030
RW1212	1105 x 1065	1205 x 1165	1230 x 1190
RW1313	1190 x 1190	1290 x 1290	1315 x 1315
RW1412	1325 x 1065	1425 x 1165	1450 x 1190



Not to scale, do not scale from drawing. All details are generic in nature and should be read in conjunction with the roofing manufacturers' standard penetration details.

Note:  
All flashing joints / laps to be riveted & sealed



ADLUX Industries Ltd. ©  
36 Olive Road, Penrose  
P.O. Box 13866, Auckland  
New Zealand.  
Ph: (09) 636 6866  
Fax: (09) 636 6846  
Email: sales@adlux.co.nz

**ROOF WINDOW non-vent (Double Glazed)  
CONCRETE ROOFING TILE (Coloursteel Flashing)  
PITCH 15° TO 60°**

DATE: 22/09/20

DWG No: RW-CT-CS

