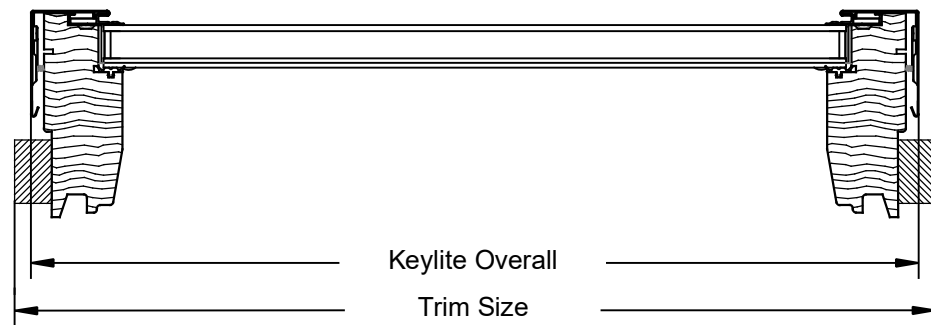
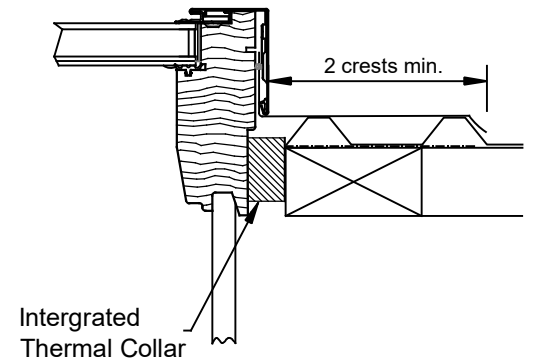
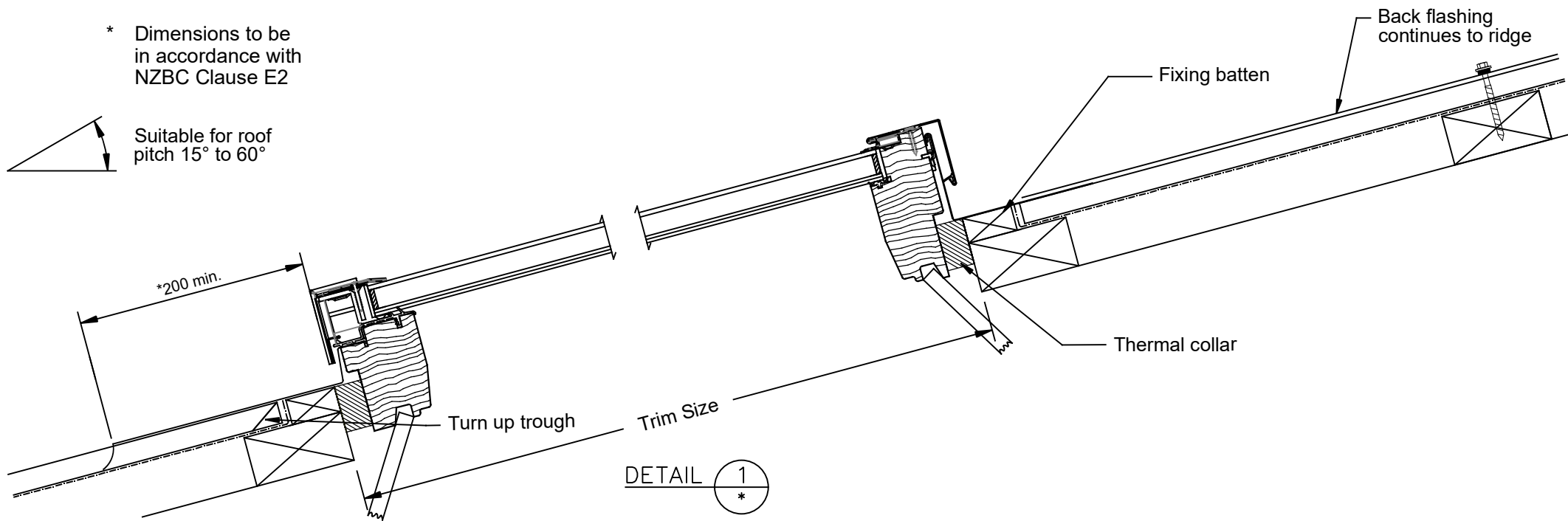
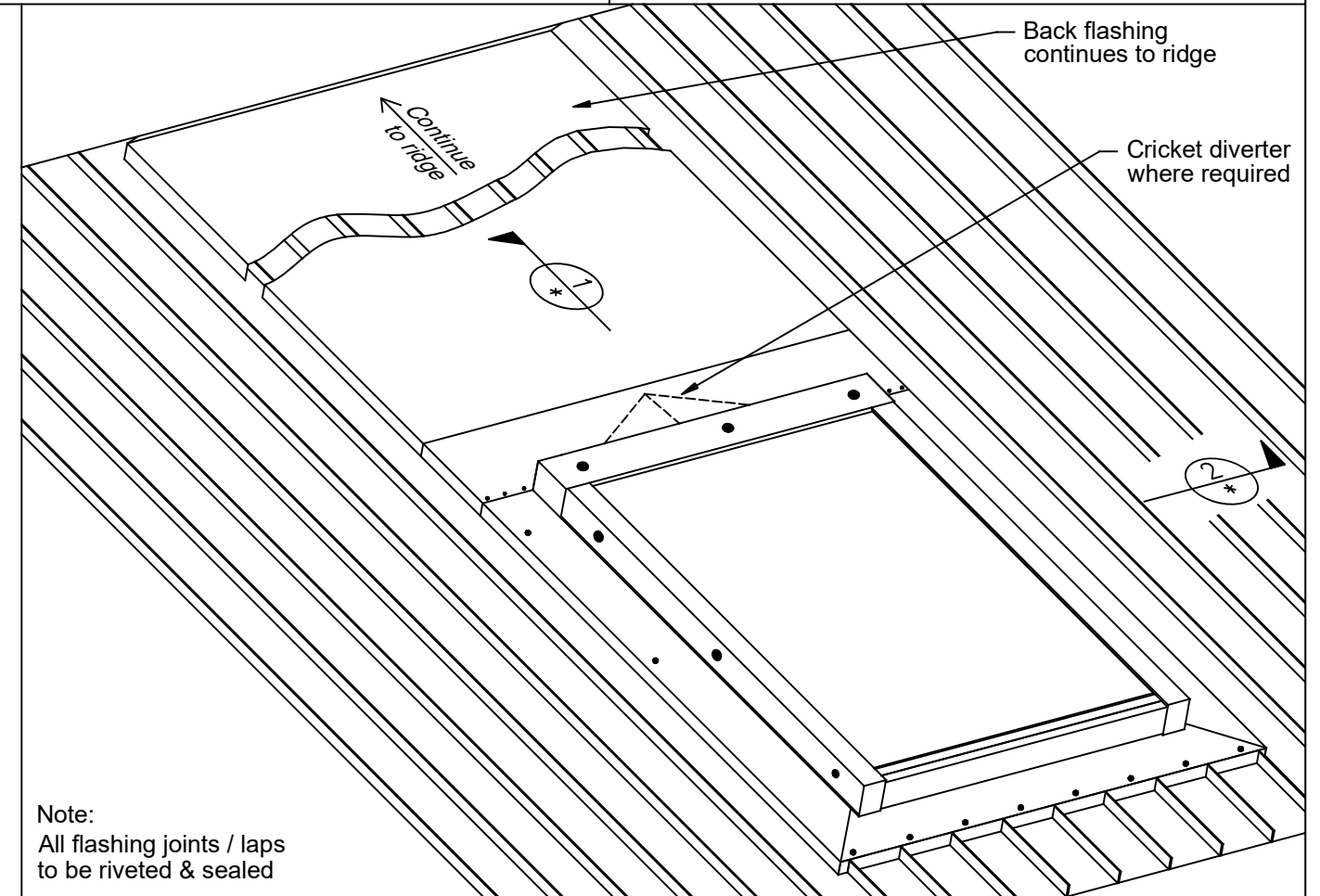


\* Dimensions to be in accordance with NZBC Clause E2

Suitable for roof pitch 15° to 60°



| Keylite Fixed - Trim Size |                 |        |           |        |  |
|---------------------------|-----------------|--------|-----------|--------|--|
| Model No.                 | Keylite Overall |        | Trim Size |        |  |
|                           | Wide            | High   | Wide      | High   |  |
| RWF-01                    | 550             | x 780  | 590       | x 820  |  |
| RWF-02                    | 550             | x 980  | 590       | x 1020 |  |
| RWF-01A                   | 550             | x 1400 | 590       | x 1440 |  |
| RWF-04                    | 780             | x 980  | 820       | x 1020 |  |
| RWF-05                    | 780             | x 1180 | 820       | x 1220 |  |
| RWF-06                    | 780             | x 1400 | 820       | x 1440 |  |
| RWF-08A                   | 1140            | x 780  | 1180      | x 820  |  |
| RWF-08                    | 1140            | x 1180 | 1180      | x 1220 |  |
| RWF-08F                   | 1140            | x 1400 | 1180      | x 1440 |  |



Note:  
All flashing joints / laps to be riveted & sealed

Not to scale, do not scale from drawing. All details are generic in nature and should be read in conjunction with the roofing manufacturers' standard penetration details.



ADLUX Industries Ltd. ©  
36 Olive Road, Penrose  
P.O. Box 13866, Auckland  
New Zealand.  
Ph: (09) 636 6866  
Fax: (09) 636 6846  
Email: sales@adlux.co.nz

## FIXED TRAPEZOID ROOFING PROFILE (Back Tray) PITCH 15° TO 60°



DATE: 30/10/2020

DWG No: F-TZ-BT