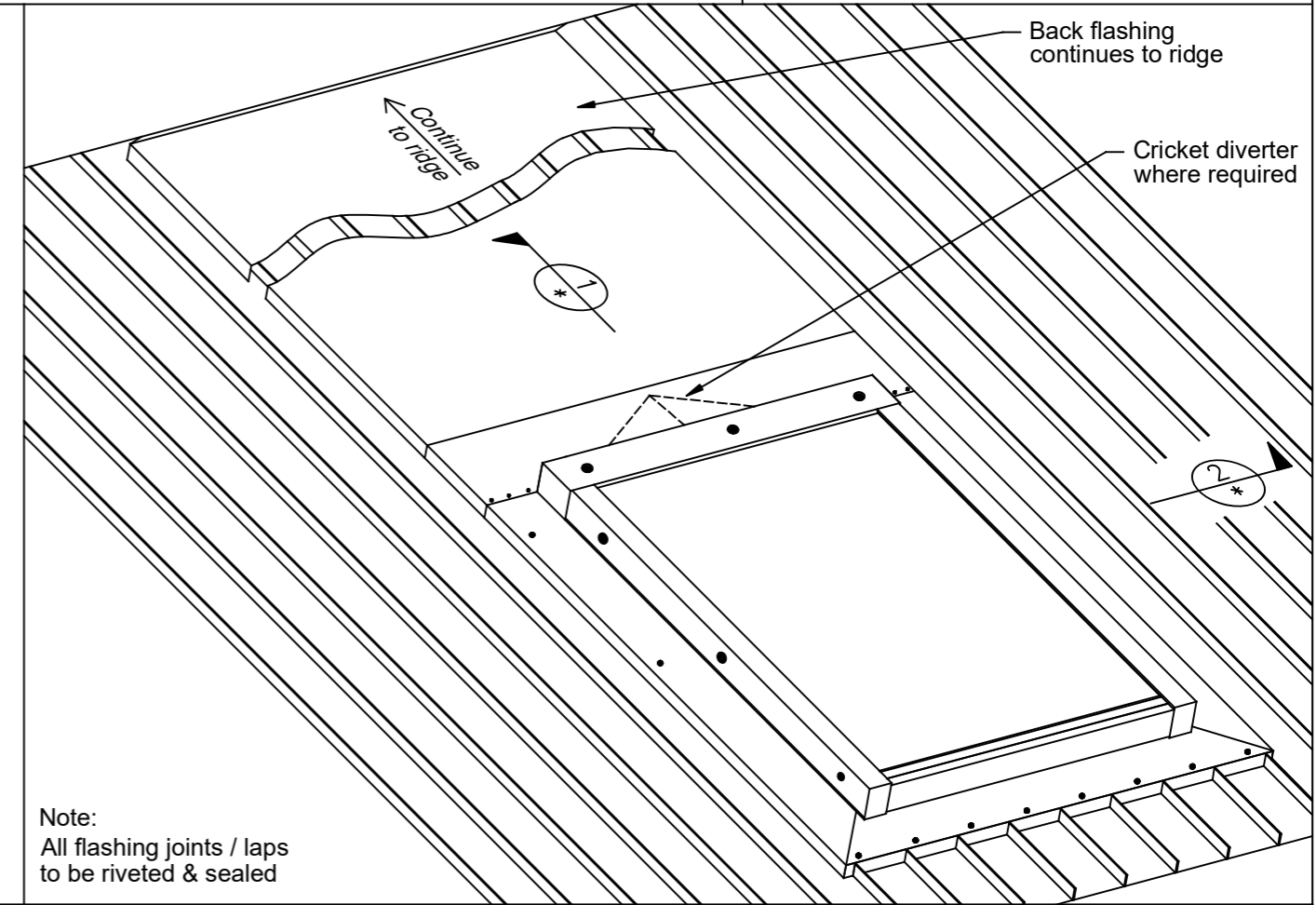
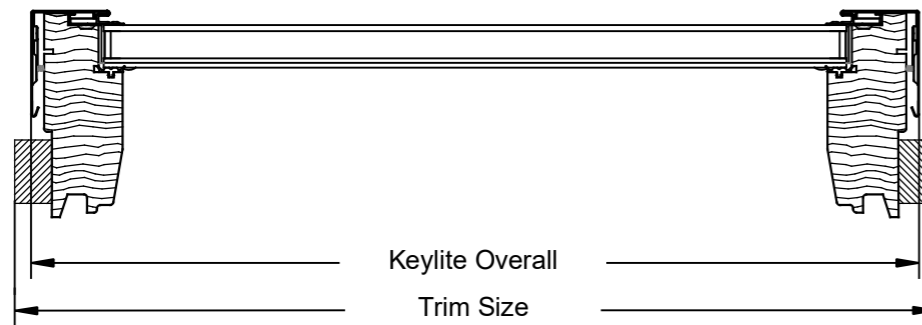
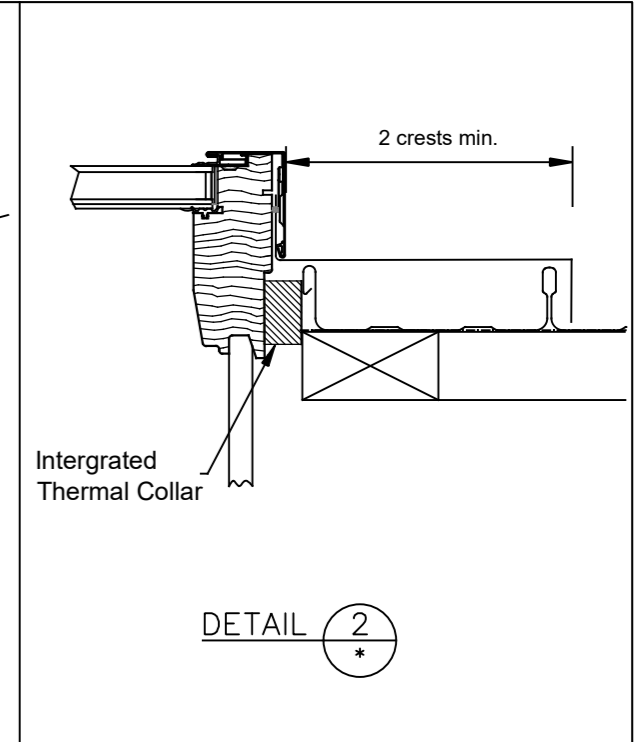
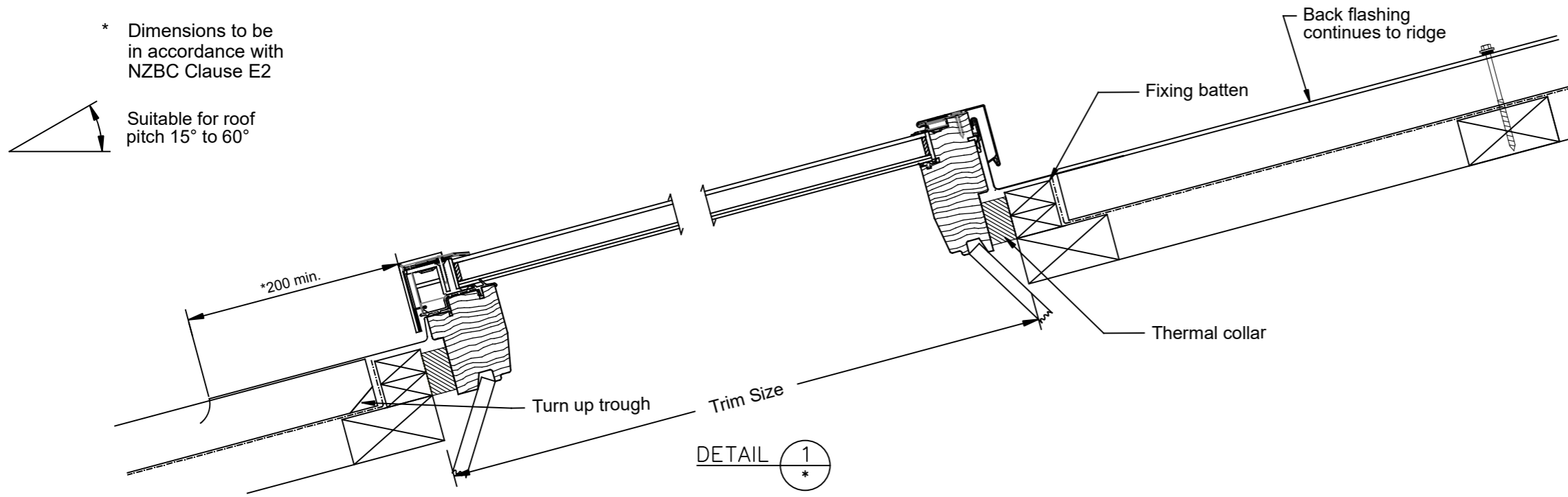


\* Dimensions to be in accordance with NZBC Clause E2

Suitable for roof pitch 15° to 60°



Note:  
All flashing joints / laps to be riveted & sealed

Keylite Fixed - Trim Size					
Model No.	Keylite Overall		Trim Size		
	Wide	High	Wide	High	
RWF-01	550	x 780	590	x 820	
RWF-02	550	x 980	590	x 1020	
RWF-01A	550	x 1400	590	x 1440	
RWF-04	780	x 980	820	x 1020	
RWF-05	780	x 1180	820	x 1220	
RWF-06	780	x 1400	820	x 1440	
RWF-08A	1140	x 780	1180	x 820	
RWF-08	1140	x 1180	1180	x 1220	
RWF-08F	1140	x 1400	1180	x 1440	

Not to scale, do not scale from drawing. All details are generic in nature and should be read in conjunction with the roofing manufacturers' standard penetration details.



ADLUX Industries Ltd. ©  
36 Olive Road, Penrose  
P.O. Box 13866, Auckland  
New Zealand.  
Ph: (09) 636 6866  
Fax: (09) 636 6846  
Email: sales@adlux.co.nz

**FIXED**  
**TROUGH SECTION PROFILE (Back Tray)**  
**PITCH 15° TO 60°**

DATE: 30/10/2020

DWG No: F-TR-BT

