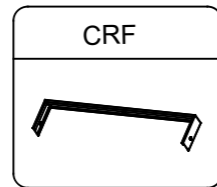


Note:
Head flashing
must hook over
the keylite hood
flashing lip



DETAIL 3
*

*200 min.

Turn up trough

Trim Size

DETAIL 1
*

DETAIL 3
*

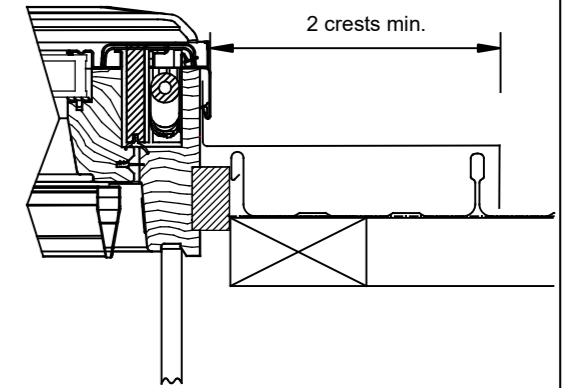
Fixing batten

Back flashing
continues to ridge

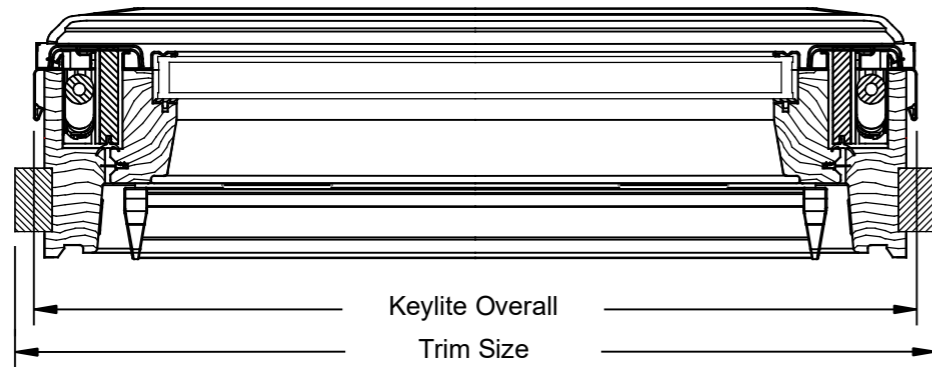
Thermal collar

Suitable for roof
pitch 15° to 60°

* Dimensions to be
in accordance with
NZBC Clause E2

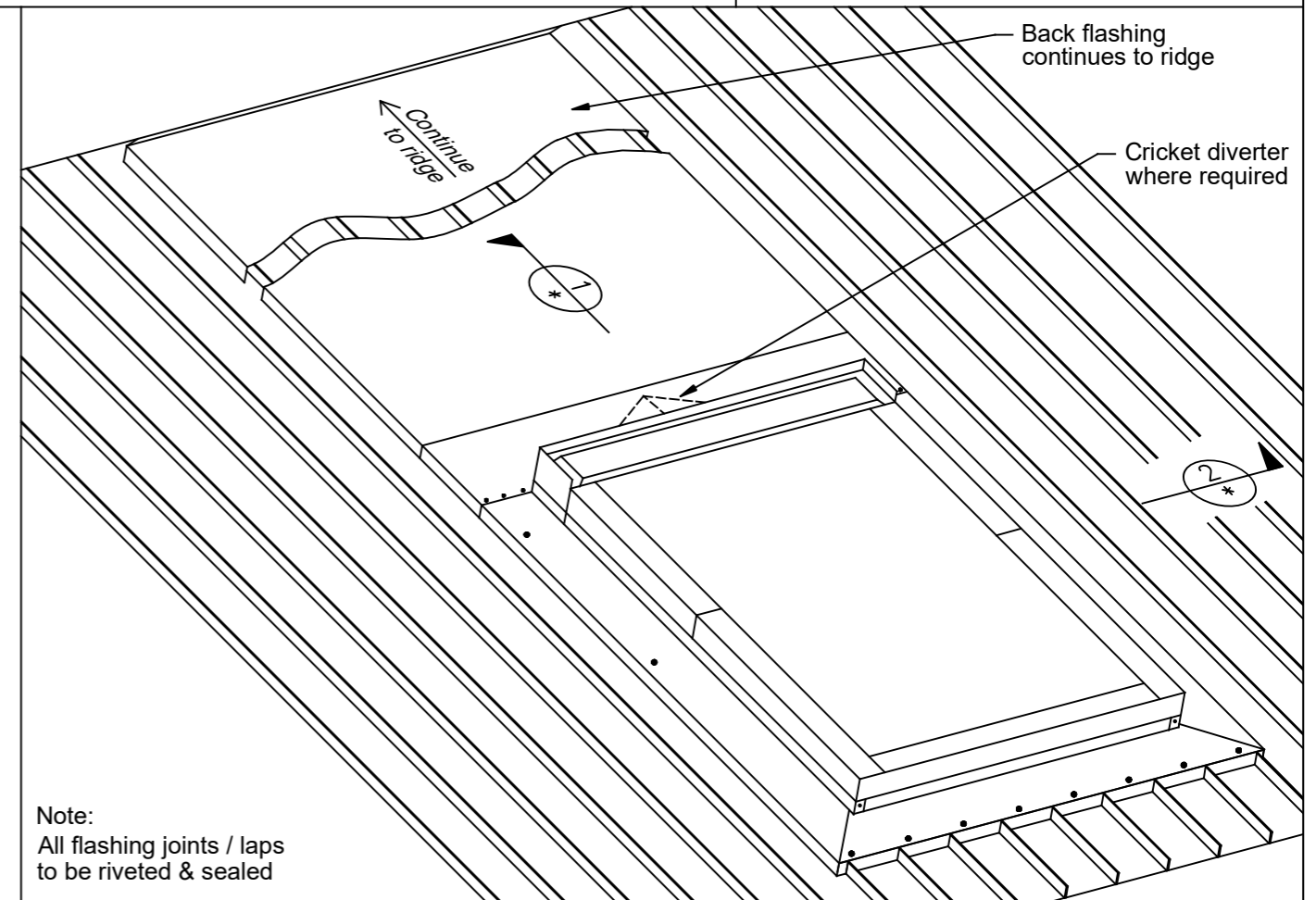


DETAIL 2
*



Keylite Overall
Trim Size

Keylite Full Extending - Trim Size					
Model No.	Keylite Overall			Trim Size	
	wide		high	wide	high
FE-04	780	x	980	820	x 1020
FE-05	780	x	1180	820	x 1220
FE-07	1600	x	940	1640	x 980
FE-08	1140	x	1180	1180	x 1220



Back flashing
continues to ridge

Cricket diverter
where required

Continue
to ridge

Note:
All flashing joints / laps
to be riveted & sealed

Not to scale, do not scale from drawing. All details are generic in nature and should be read in conjunction with the roofing manufacturers' standard penetration details.



ADLUX Industries Ltd. ©
36 Olive Road, Penrose
P.O. Box 13866, Auckland
New Zealand.
Ph: (09) 636 6866
Fax: (09) 636 6846
Email: sales@adlux.co.nz

FULL EXTENDING TROUGH SECTION PROFILE (Back Tray) PITCH 15° TO 60°



DATE: 03/11/2020

DWG No: FE-TR-BT