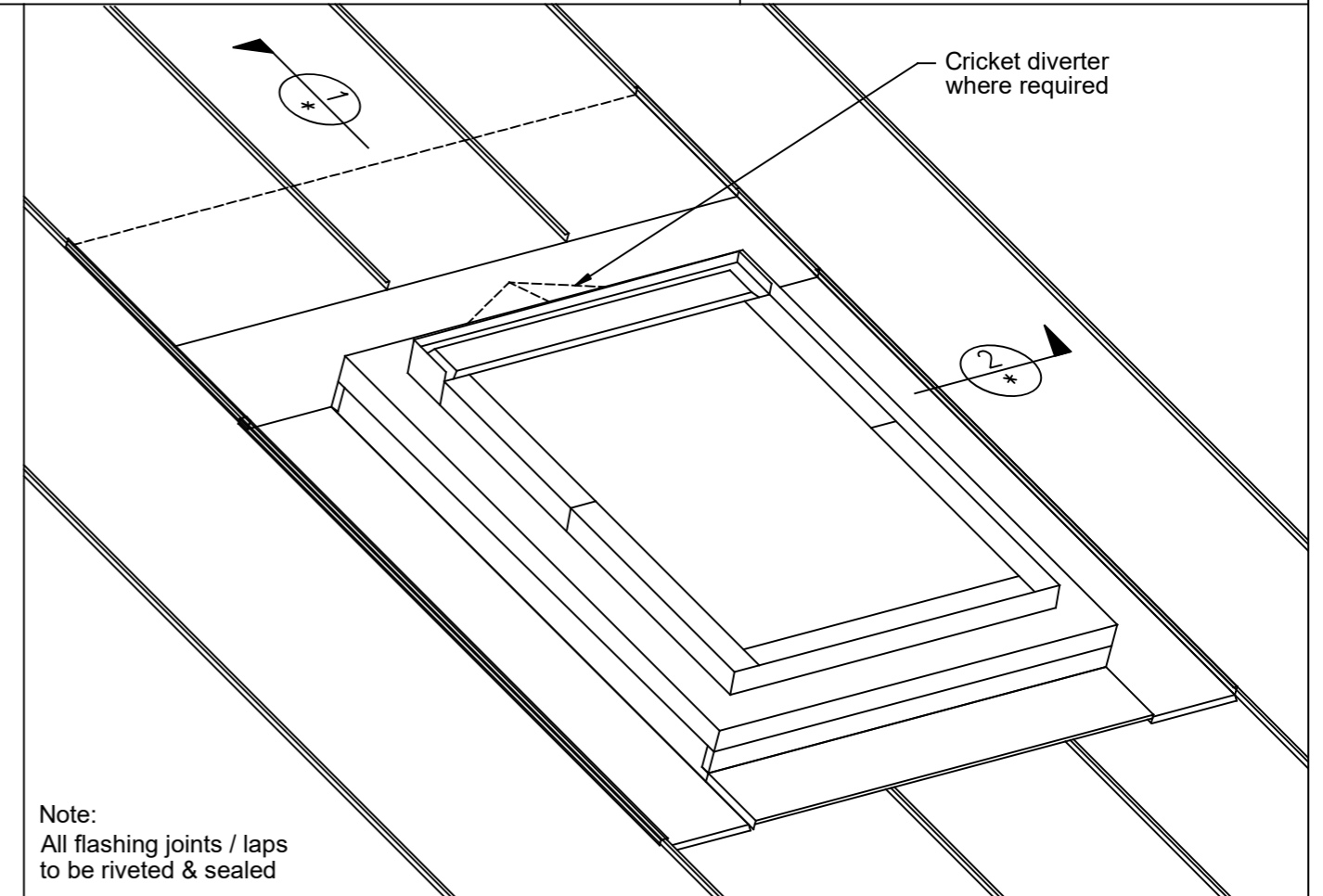


Keylite Full Extending - Trim Size					
Model No.	Keylite Overall			Trim Size	
	wide		high	wide	high
FE-04	780	x	980	820	x 1020
FE-05	780	x	1180	820	x 1220
FE-07	1600	x	940	1640	x 980
FE-08	1140	x	1180	1180	x 1220



Not to scale, do not scale from drawing. All details are generic in nature and should be read in conjunction with the roofing manufacturers' standard penetration details.



ADLUX Industries Ltd. ©  
 36 Olive Road, Penrose  
 P.O. Box 13866, Auckland  
 New Zealand.  
 Ph: (09) 636 6866  
 Fax: (09) 636 6846  
 Email: sales@adlux.co.nz

## FULL EXTENDING STANDING SEAM ROOFING PROFILE PITCH 15° TO 60°



DATE: 03/11/2020

DWG No: FE-SS