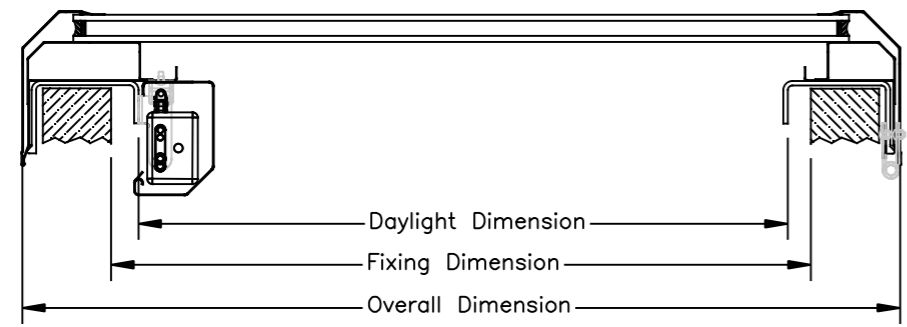
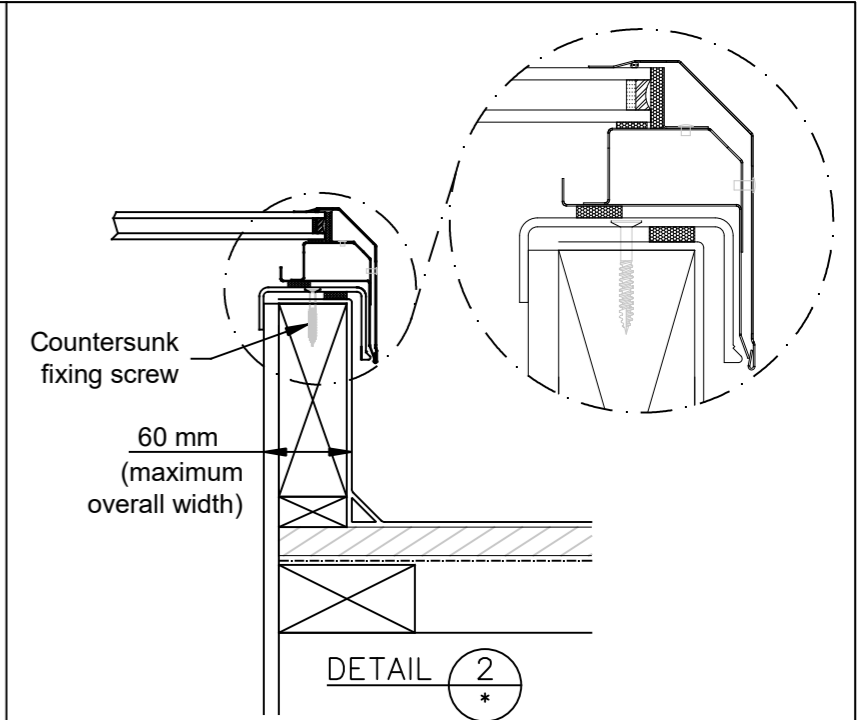
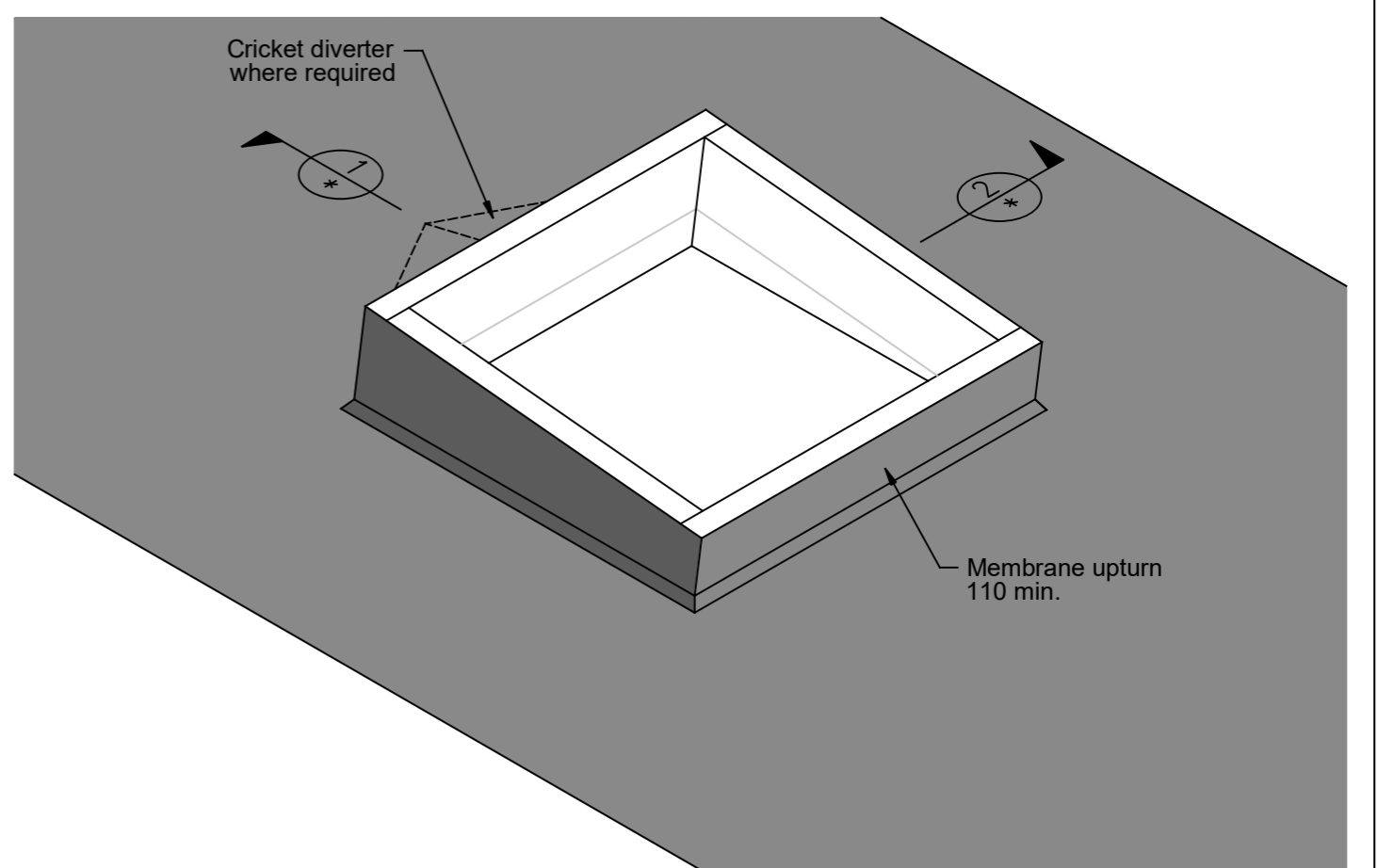


\* Dimensions to be in accordance with NZBC Clause E2



Roof Window Opening - Electric	DAYLIGHT DIMENSION		FIXING DIMENSION		OVERALL DIMENSION	
Model No.						
RWBe77	540	x 540	570	x 570	705	x 705
RWBe86	585	x 435	615	x 465	750	x 600
RWBe99	745	x 745	775	x 775	910	x 910
RWBe106	865	x 435	895	x 465	1030	x 600
RWBe107	865	x 540	895	x 570	1030	x 705
RWBe108	865	x 665	895	x 695	1030	x 830
RWBe128	1065	x 665	1095	x 695	1230	x 830
RWBe137	1150	x 540	1180	x 570	1315	x 705
RWBe139	1150	x 745	1180	x 775	1315	x 910
RWBe148	1285	x 665	1315	x 695	1450	x 830
RWBe197	1745	x 540	1775	x 570	1910	x 705
RWBe1010	865	x 865	895	x 895	1030	x 1030
RWBe1212	1065	x 1025	1095	x 1055	1230	x 1190
RWBe1313	1150	x 1150	1180	x 1180	1315	x 1315
RWBe1412	1285	x 1025	1315	x 1055	1450	x 1190



Not to scale, do not scale from drawing. All details are generic in nature and should be read in conjunction with the roofing manufacturers' standard penetration details.



ADLUX Industries Ltd. ©  
 36 Olive Road, Penrose  
 P.O. Box 13866, Auckland  
 New Zealand.  
 Ph: (09) 636 6866  
 Fax: (09) 636 6846  
 Email: sales@adlux.co.nz

**ROOF WINDOW BASE electric opening (Double Glazed)**  
**MEMBRANE ROOFING (Pitched Upstand)**  
 For roofs less than 5°

DATE: 18/09/20

DWG No: RWBe-MEM-PU

