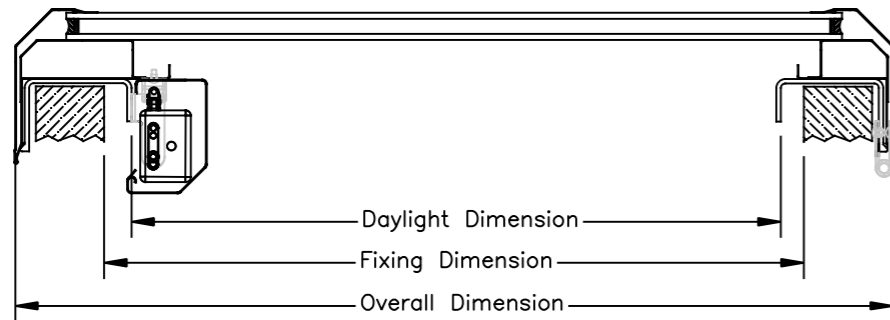
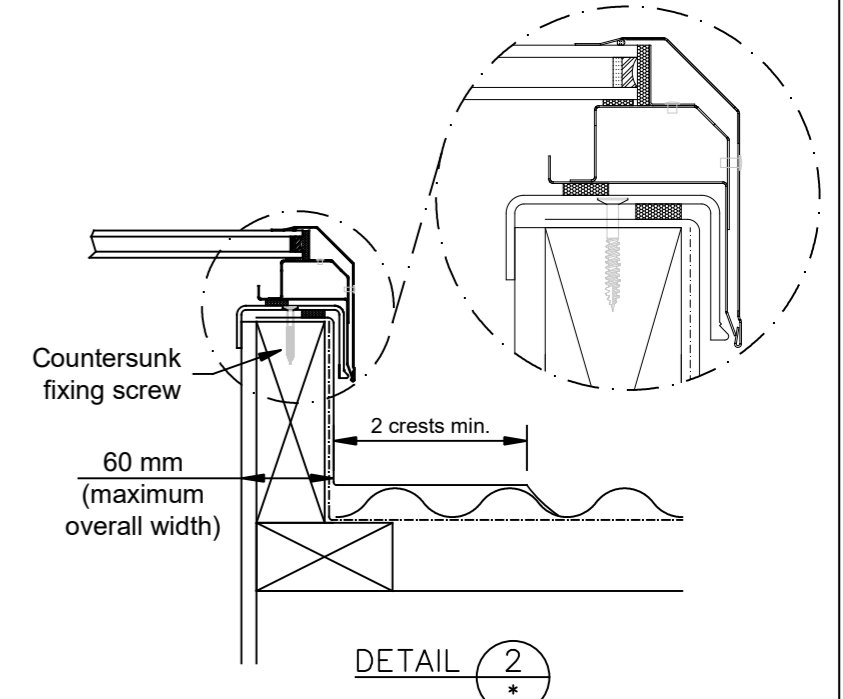
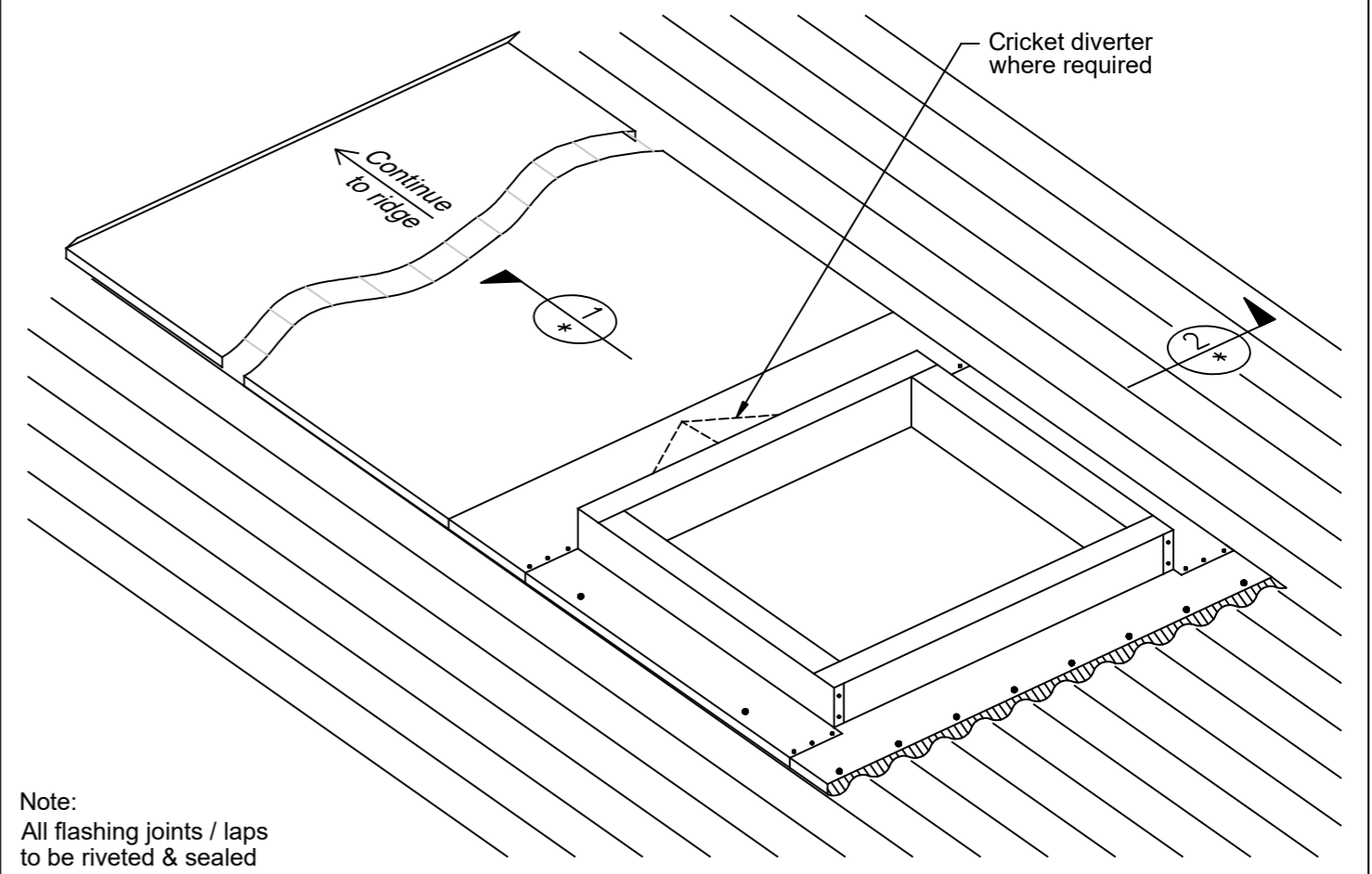


* Dimensions to be in accordance with NZBC Clause E2



Model No.	DAYLIGHT DIMENSION		FIXING DIMENSION		OVERALL DIMENSION	
RWBe77	540	x 540	570	x 570	705	x 705
RWBe86	585	x 435	615	x 465	750	x 600
RWBe99	745	x 745	775	x 775	910	x 910
RWBe106	865	x 435	895	x 465	1030	x 600
RWBe107	865	x 540	895	x 570	1030	x 705
RWBe108	865	x 665	895	x 695	1030	x 830
RWBe128	1065	x 665	1095	x 695	1230	x 830
RWBe137	1150	x 540	1180	x 570	1315	x 705
RWBe139	1150	x 745	1180	x 775	1315	x 910
RWBe148	1285	x 665	1315	x 695	1450	x 830
RWBe197	1745	x 540	1775	x 570	1910	x 705
RWBe1010	865	x 865	895	x 895	1030	x 1030
RWBe1212	1065	x 1025	1095	x 1055	1230	x 1190
RWBe1313	1150	x 1150	1180	x 1180	1315	x 1315
RWBe1412	1285	x 1025	1315	x 1055	1450	x 1190

Not to scale, do not scale from drawing. All details are generic in nature and should be read in conjunction with the roofing manufacturers' standard penetration details.



Note:
All flashing joints / laps to be riveted & sealed



ADLUX Industries Ltd. ©
36 Olive Road, Penrose
P.O. Box 13866, Auckland
New Zealand.
Ph: (09) 636 6866
Fax: (09) 636 6846
Email: sales@adlux.co.nz

ELECTRIC MOTORISED ROOF WINDOW (Double Glazed)
CORRUGATED ROOFING PROFILE (Back Tray)
PITCH 5° TO 60°

DATE: 14/09/20

DWG No: RWBe-CR-BT

