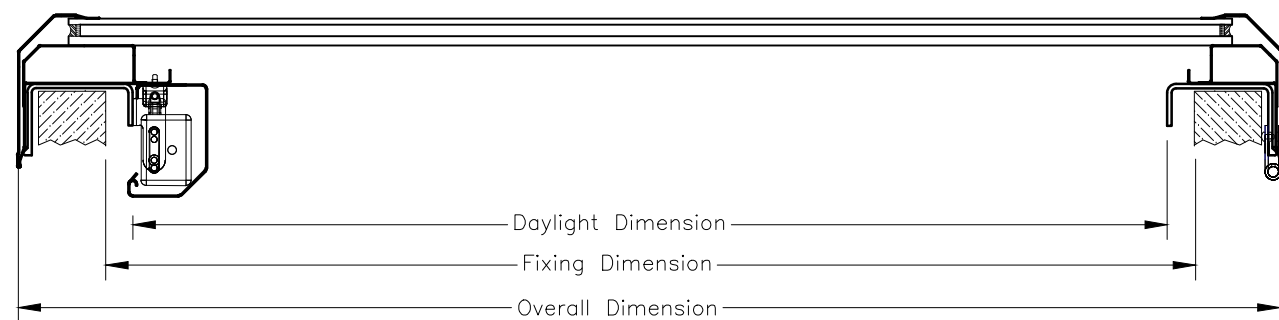
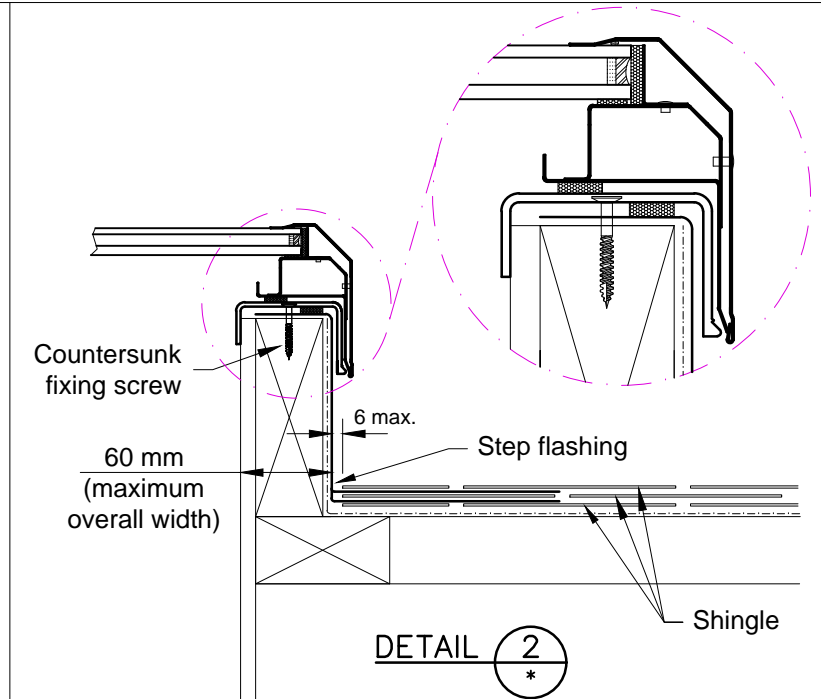
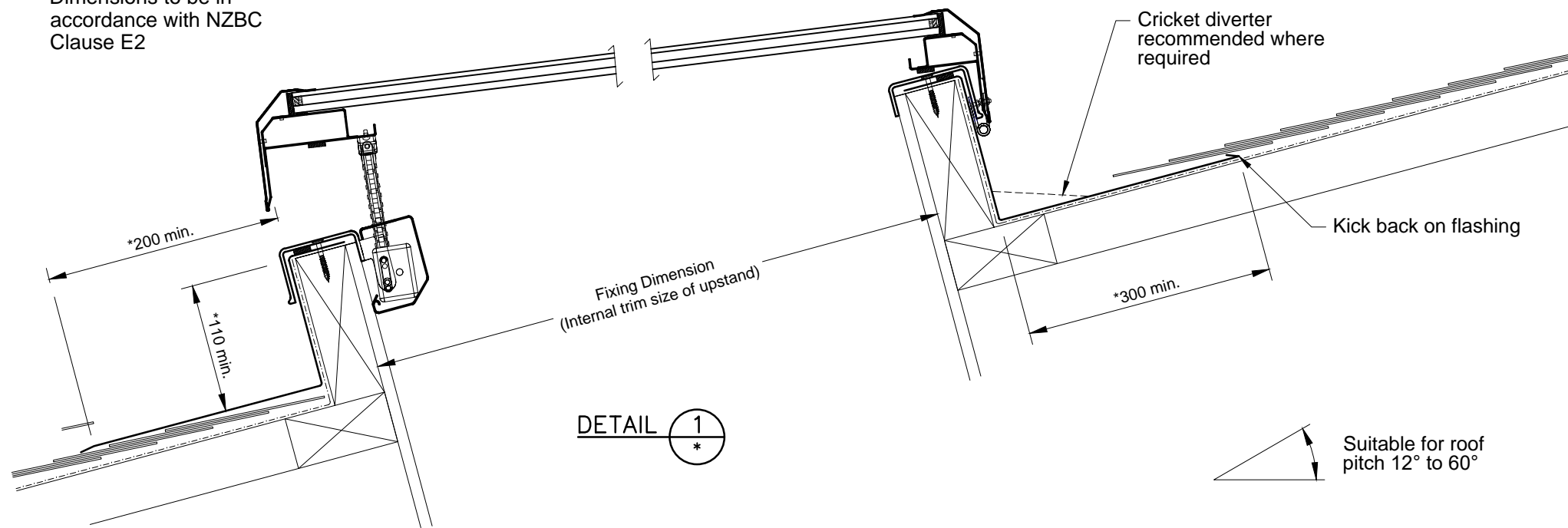


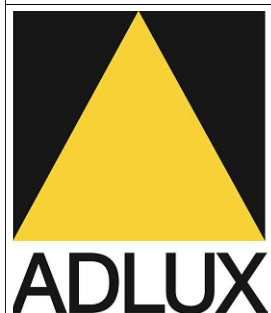
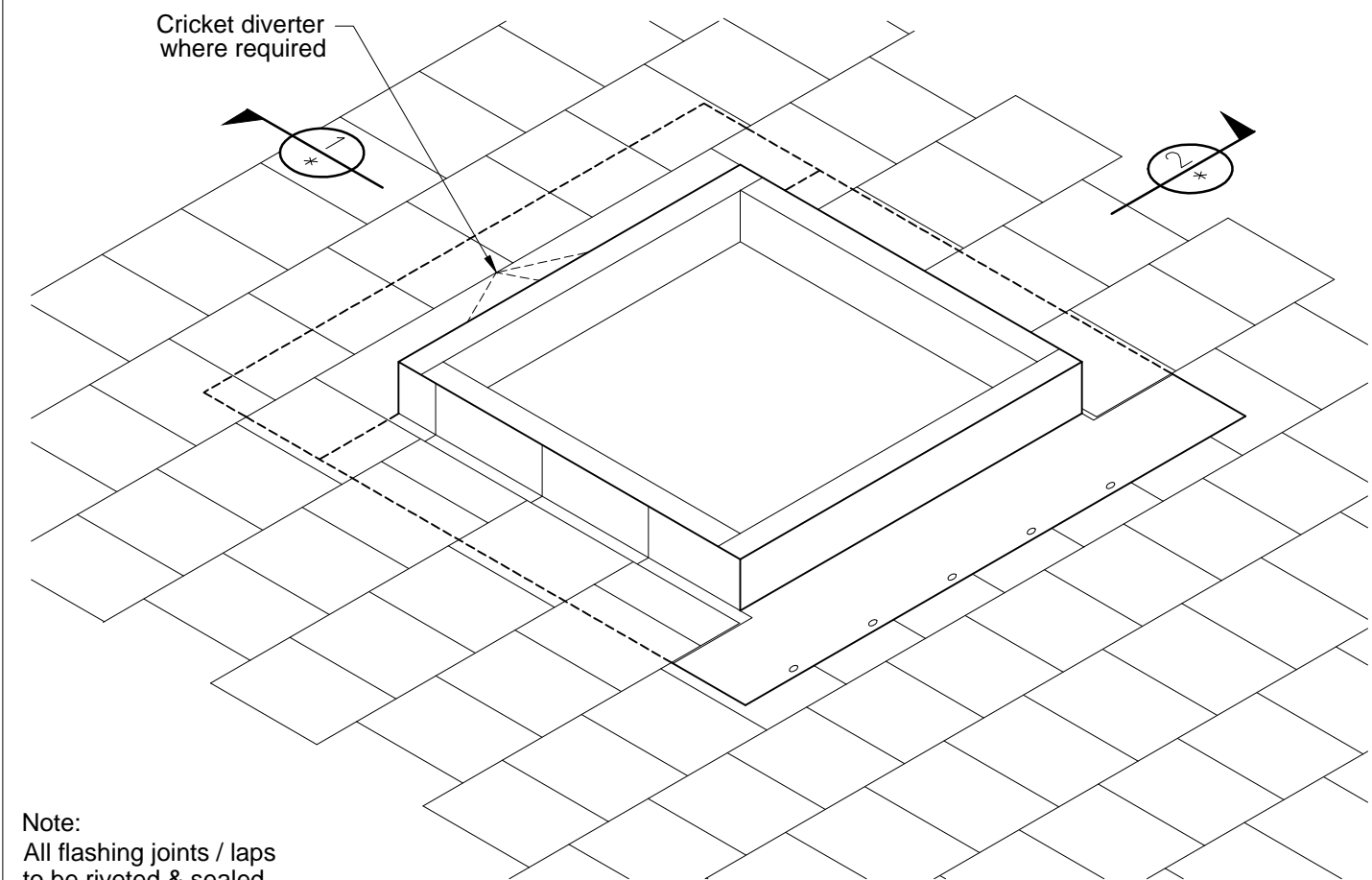
* Dimensions to be in accordance with NZBC Clause E2



Mega Roof Window Opening - Electric

	DAYLIGHT DIMENSION		FIXING DIMENSION		OVERALL DIMENSION				
MRWBe1616	1495	x	1495	1525	x	1525	1660	x	1660
MRWBe2014	1850	x	1250	1880	x	1280	2015	x	1415
MRWBe2418	2235	x	1635	2265	x	1665	2400	x	1800
MRWBe3014	2850	x	1250	2880	x	1280	3015	x	1415

Not to scale, do not scale from drawing. All details are generic in nature and should be read in conjunction with the roofing manufacturers' standard penetration details.



ADLUX Industries Ltd. ©
 36 Olive Road, Penrose
 P.O. Box 13866, Auckland
 New Zealand.
 Ph: (09) 636 6866
 Fax: (09) 636 6846
 Email: sales@adlux.co.nz

ELECTRIC MOTORISED MEGA ROOF WINDOW (Double Glazed)
SLATE / SHINGLE ROOFING TILE
PITCH 12° TO 60°

DATE: 22/02/2021

DWG No: MRWBe-SL/SH