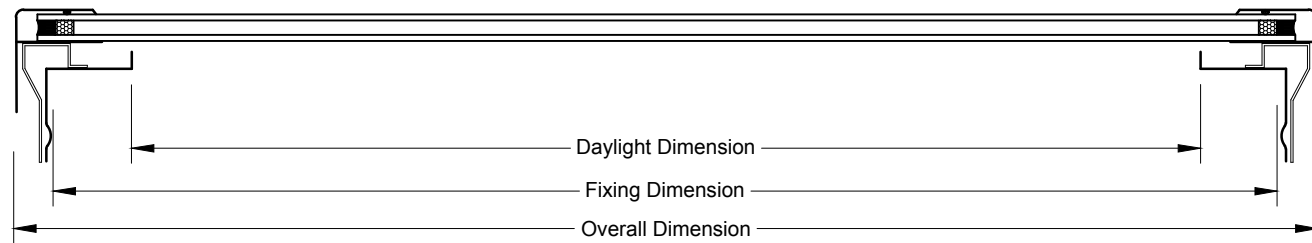
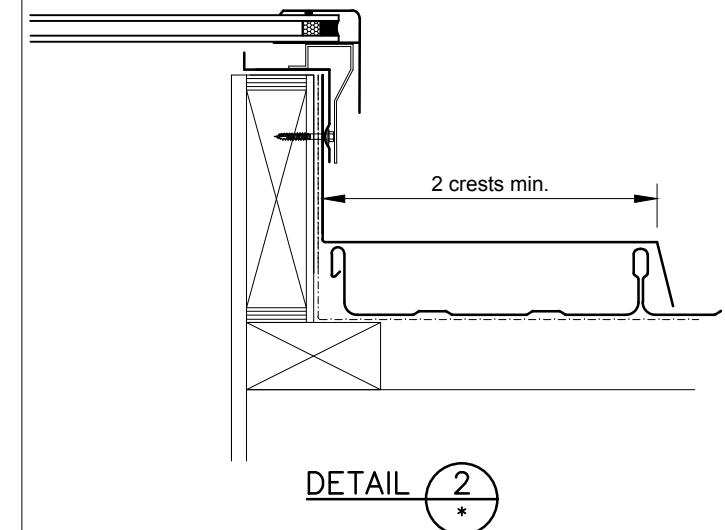
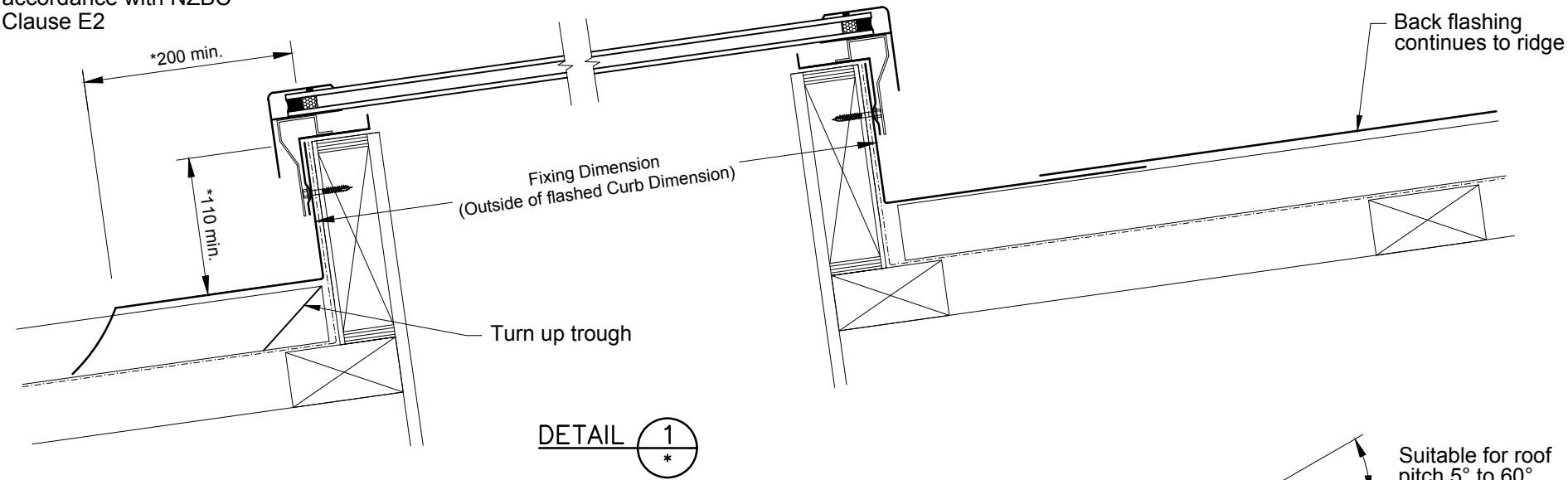
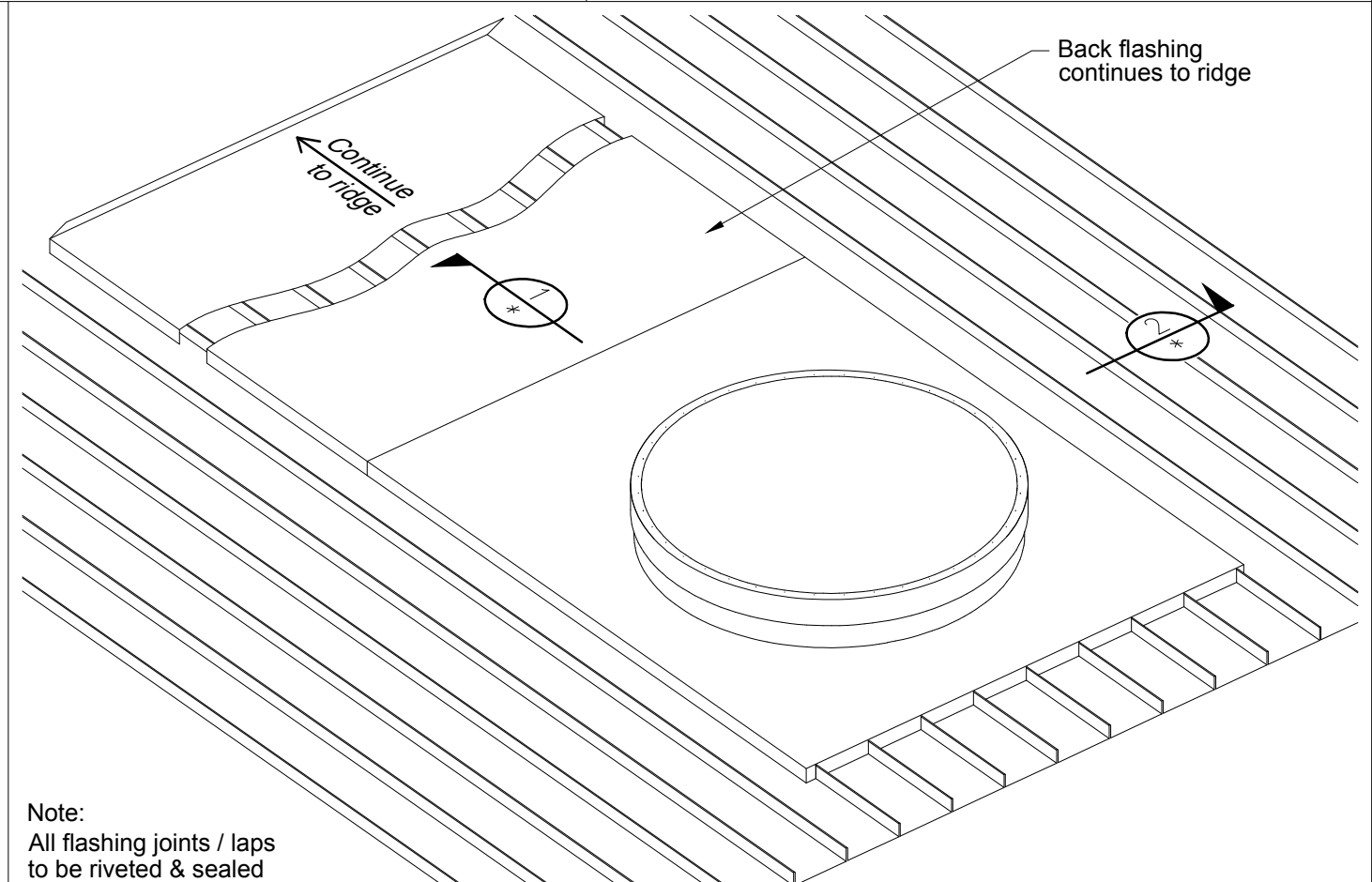


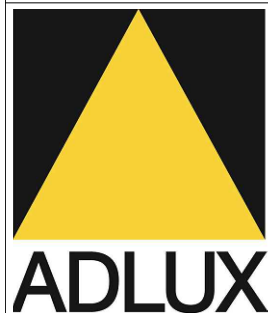
* Dimensions to be in accordance with NZBC Clause E2



| Round Roof Window Vent | | | |
|------------------------|--------------------|------------------|-------------------|
| | DAYLIGHT DIMENSION | FIXING DIMENSION | OVERALL DIMENSION |
| RRW800 | 730mm Ø | 845mm Ø | 900mm Ø |
| RRW1000 | 930mm Ø | 1045mm Ø | 1100mm Ø |
| RRW1200 | 1130mm Ø | 1245mm Ø | 1300mm Ø |
| RRW1500 | 1430mm Ø | 1545mm Ø | 1600mm Ø |
| RRW1800 | 1730mm Ø | 1845mm Ø | 1900mm Ø |
| RRW2100 | 2030mm Ø | 2145mm Ø | 2200mm Ø |



Not to scale, do not scale from drawing. All details are generic in nature and should be read in conjunction with the roofing manufacturers' standard penetration details.



ADLUX Industries Ltd. ©
36 Olive Road, Penrose
P.O. Box 13866, Auckland
New Zealand.
Ph: (09) 636 6866
Fax: (09) 636 6846
Email: sales@adlux.co.nz

ROUND ROOF WINDOW VENT TROUGH SECTION PROFILE (Back Tray) PITCH 5° TO 60°

DATE: 31/01/2021

DWG No: RRWv-TR-BT