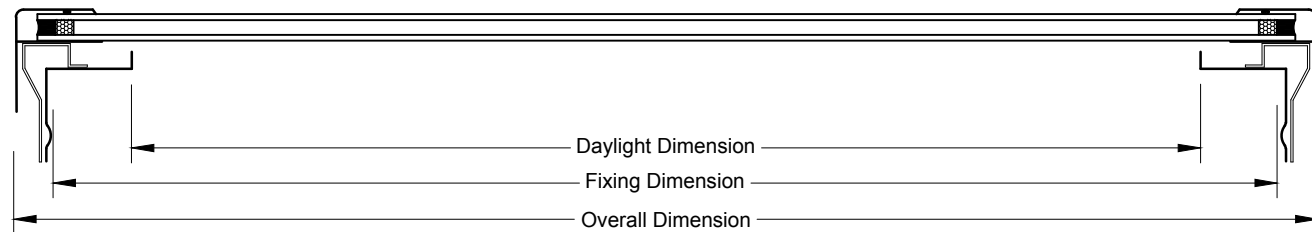
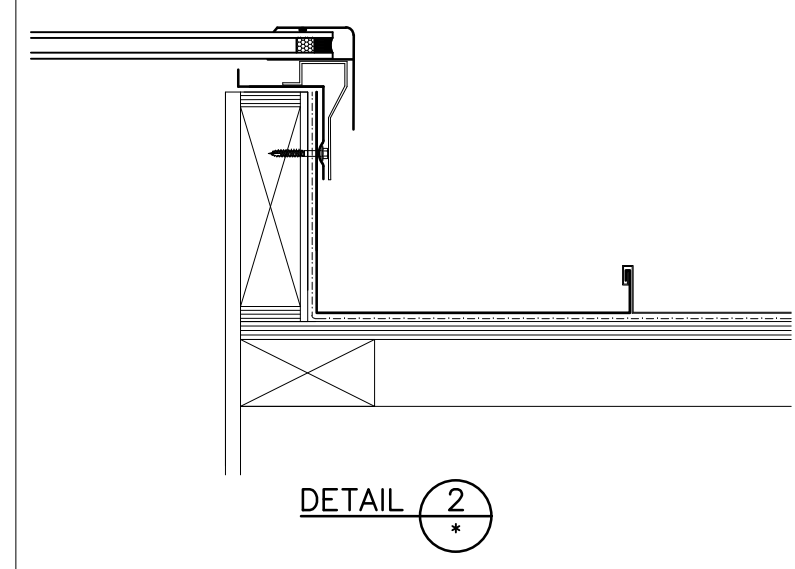
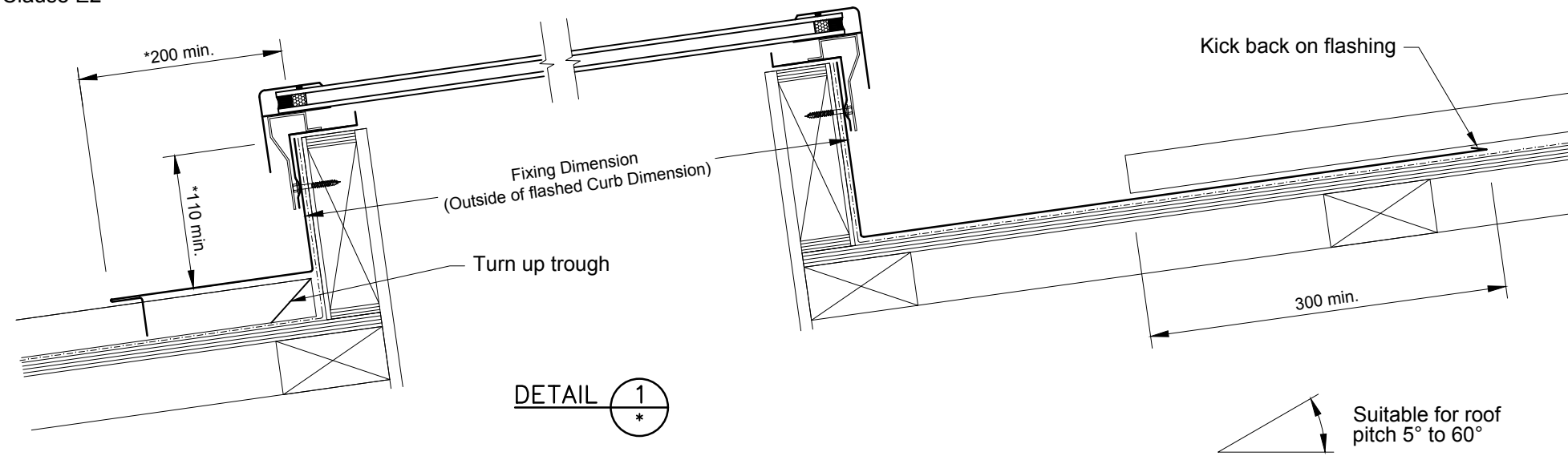
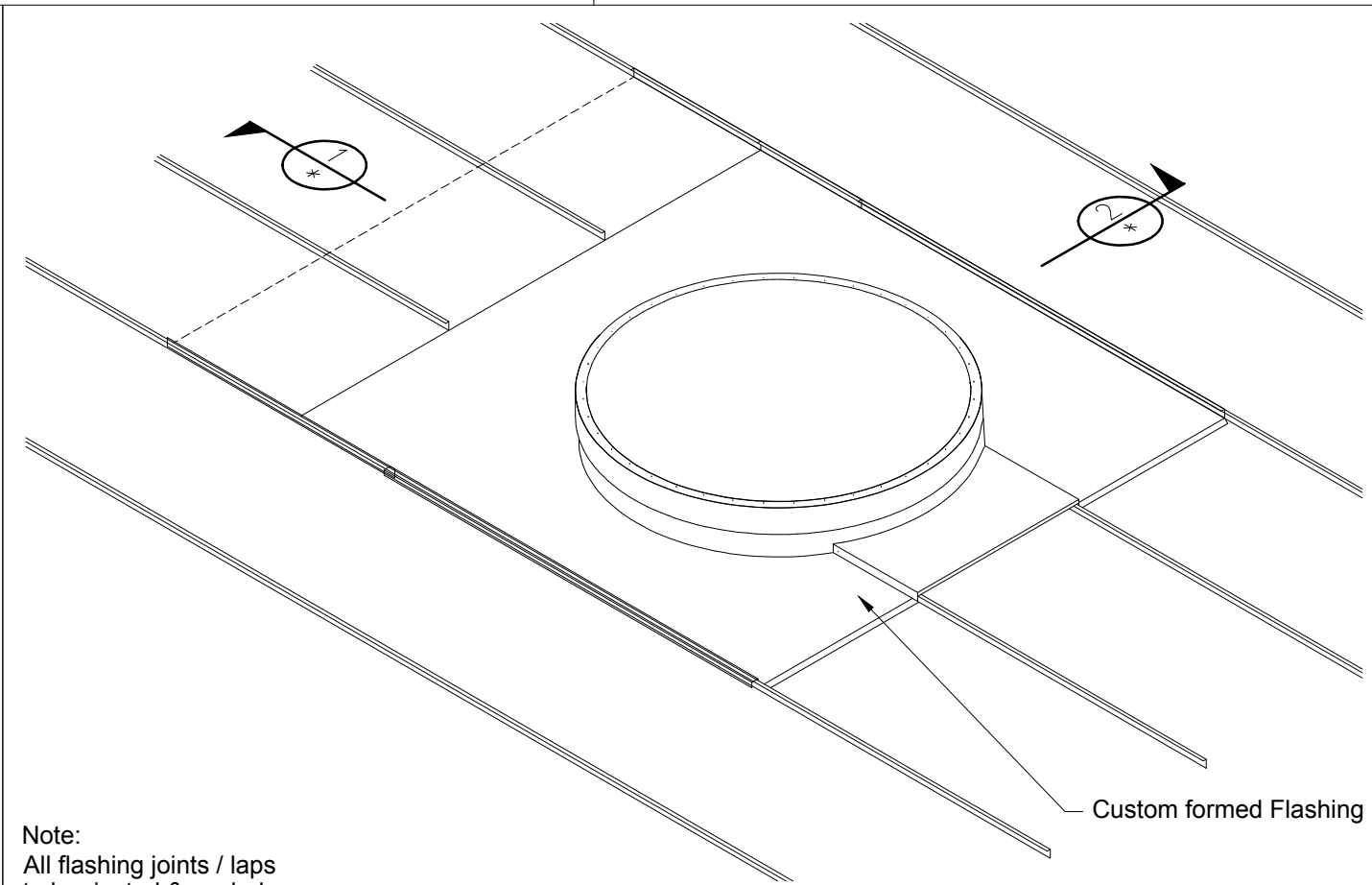


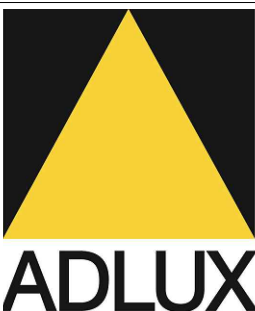
\* Dimensions to be in accordance with NZBC Clause E2



Round Roof Window Vent			
	DAYLIGHT DIMENSION	FIXING DIMENSION	OVERALL DIMENSION
<b>RRW800</b>	730mm Ø	845mm Ø	900mm Ø
<b>RRW1000</b>	930mm Ø	1045mm Ø	1100mm Ø
<b>RRW1200</b>	1130mm Ø	1245mm Ø	1300mm Ø
<b>RRW1500</b>	1430mm Ø	1545mm Ø	1600mm Ø
<b>RRW1800</b>	1730mm Ø	1845mm Ø	1900mm Ø
<b>RRW2100</b>	2030mm Ø	2145mm Ø	2200mm Ø



Not to scale, do not scale from drawing. All details are generic in nature and should be read in conjunction with the roofing manufacturers' standard penetration details.



ADLUX Industries Ltd. ©  
 36 Olive Road, Penrose  
 P.O. Box 13866, Auckland  
 New Zealand.  
 Ph: (09) 636 6866  
 Fax: (09) 636 6846  
 Email: sales@adlux.co.nz

## ROUND ROOF WINDOW VENT STANDING SEAM ROOFING PROFILE PITCH 5° TO 60°

DATE: 31/01/2021

DWG No: RRWv-SS