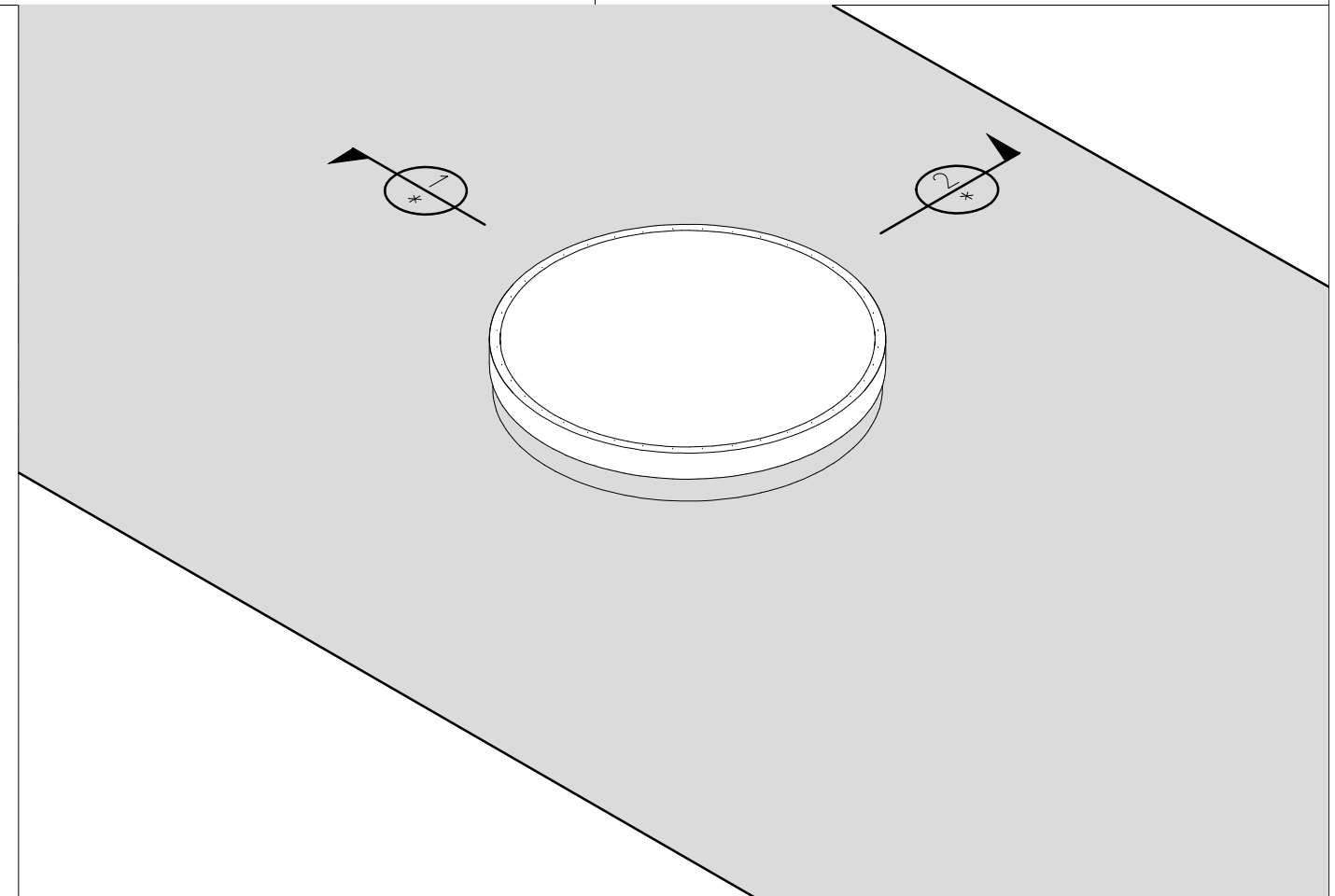
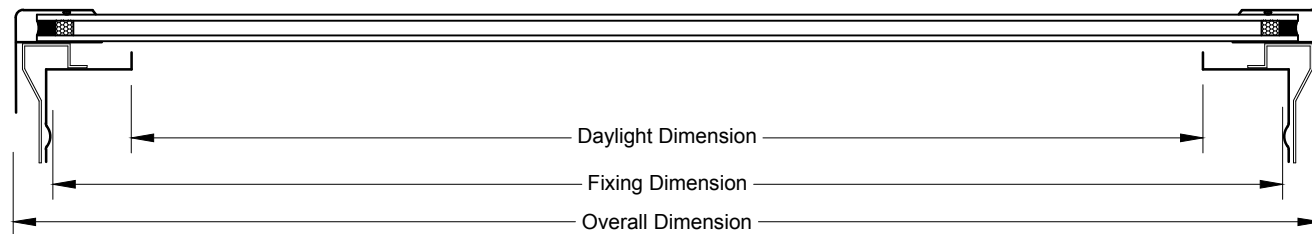
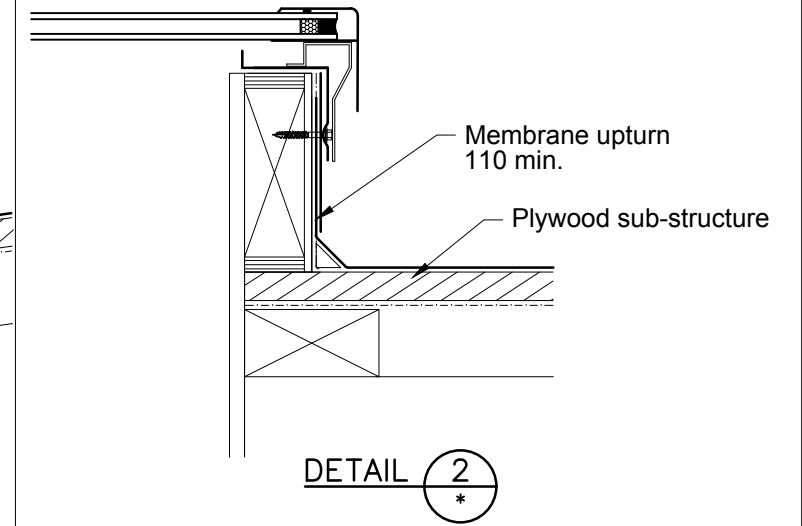
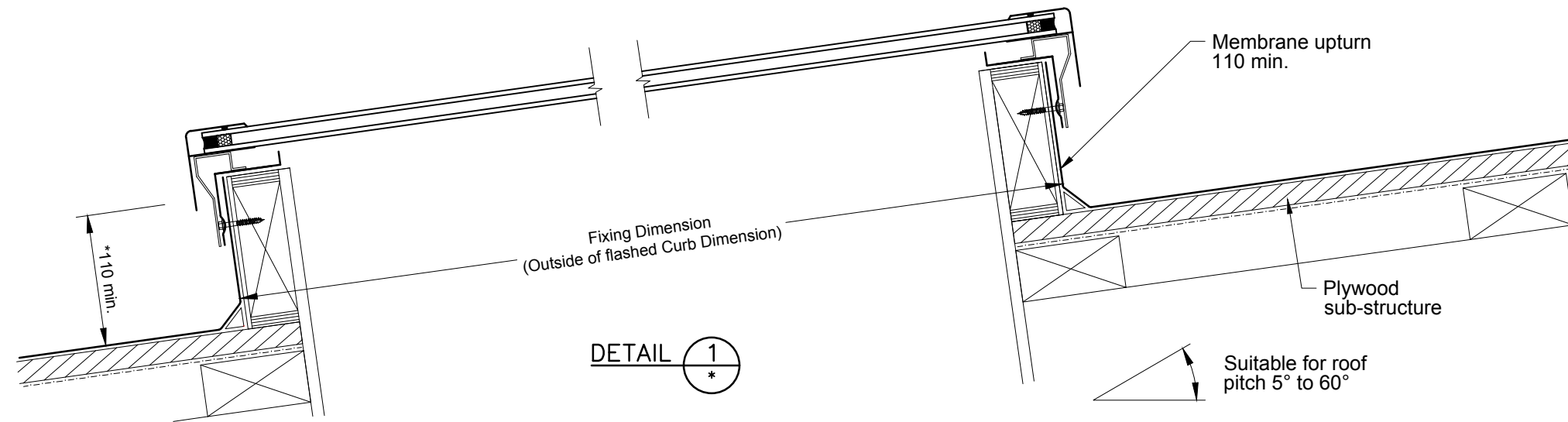


* Dimensions to be in accordance with NZBC Clause E2



Round Roof Window Vent			
	DAYLIGHT DIMENSION	FIXING DIMENSION	OVERALL DIMENSION
RRW800	730mm Ø	845mm Ø	900mm Ø
RRW1000	930mm Ø	1045mm Ø	1100mm Ø
RRW1200	1130mm Ø	1245mm Ø	1300mm Ø
RRW1500	1430mm Ø	1545mm Ø	1600mm Ø
RRW1800	1730mm Ø	1845mm Ø	1900mm Ø
RRW2100	2030mm Ø	2145mm Ø	2200mm Ø

Not to scale, do not scale from drawing. All details are generic in nature and should be read in conjunction with the roofing manufacturers' standard penetration details.



ADLUX Industries Ltd. ©
 36 Olive Road, Penrose
 P.O. Box 13866, Auckland
 New Zealand.
 Ph: (09) 636 6866
 Fax: (09) 636 6846
 Email: sales@adlux.co.nz

**ROUND ROOF WINDOW VENT
 MEMBRANE ROOFING
 PITCH 5° TO 60°**

DATE: 31/01/2021

DWG No: RRWv-MEM