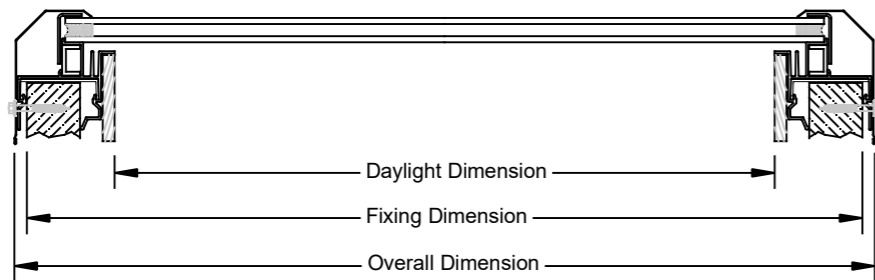
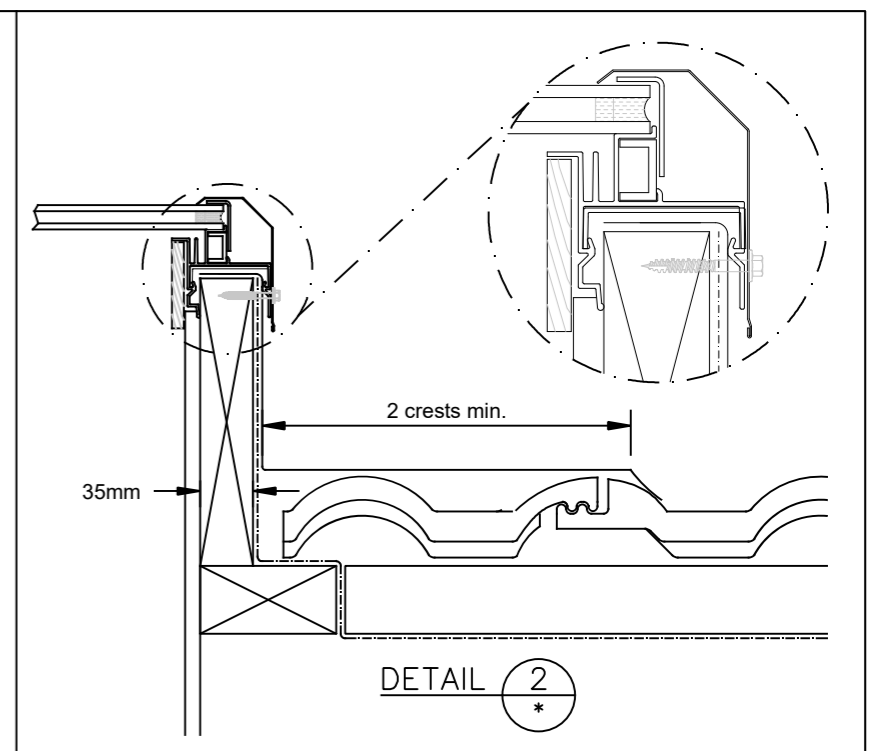
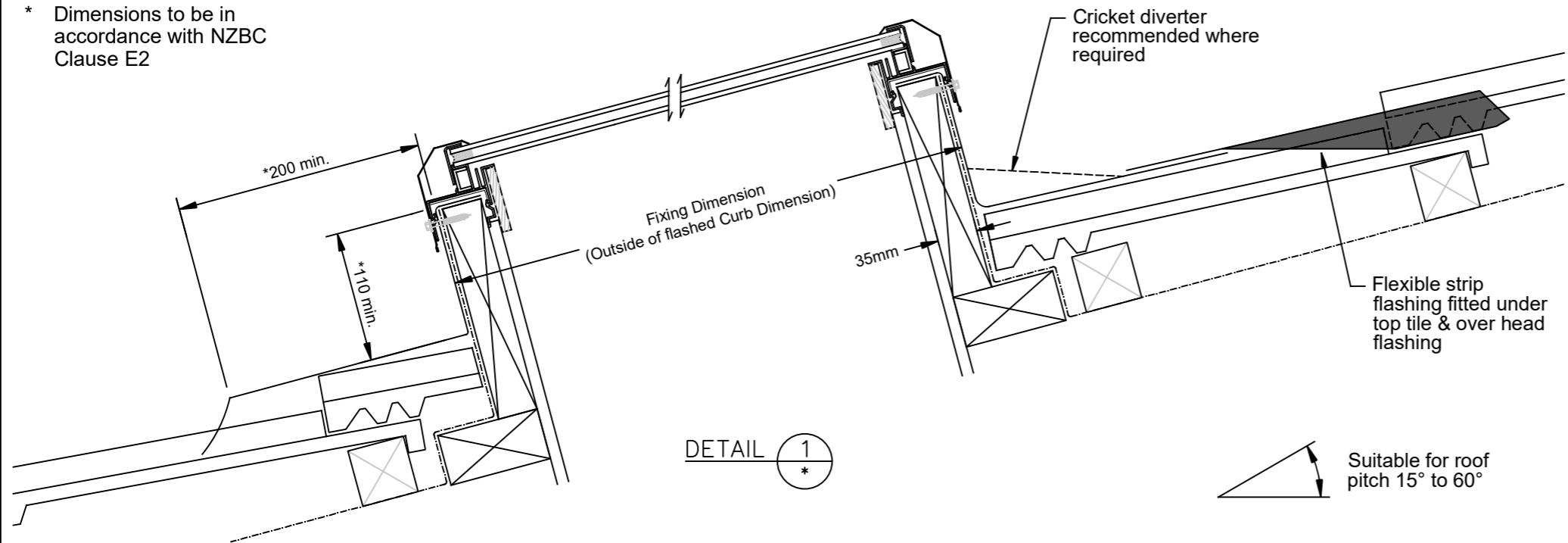
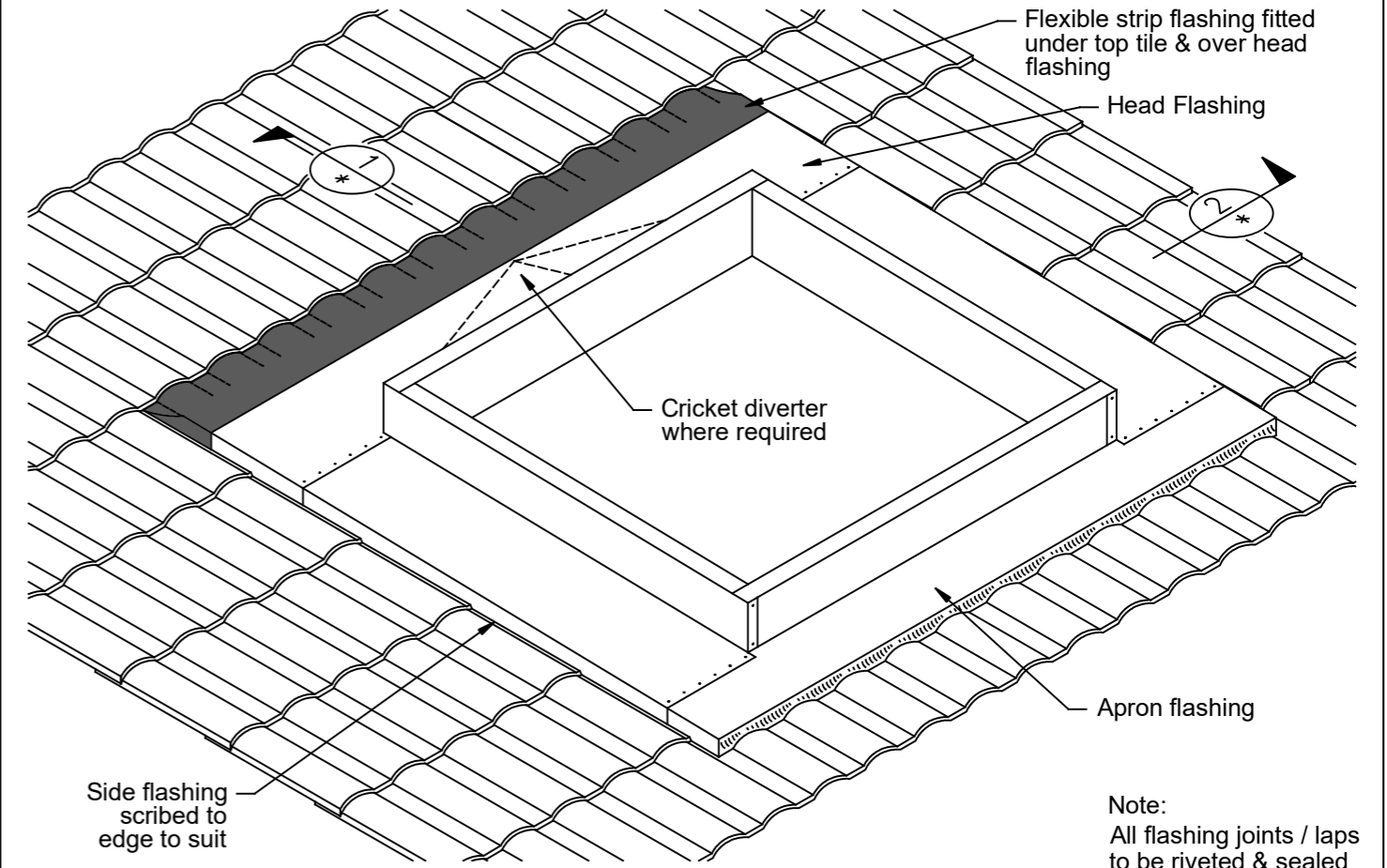


\* Dimensions to be in accordance with NZBC Clause E2



ECO Roof Window			
Model No.	Daylight Dimension (mm)	Fixing Dimension (mm)	Overall Dimension (mm)
RWA77	572 x 572	692 x 692	717 x 717
RWA86	615 x 465	735 x 585	760 x 610
RWA99	775 x 775	895 x 895	920 x 920
RWA106	895 x 465	1015 x 585	1040 x 610
RWA107	895 x 572	1015 x 692	1040 x 717
RWA108	895 x 695	1015 x 815	1040 x 840
RWA128	1095 x 695	1215 x 815	1240 x 840
RWA137	1181 x 572	1301 x 692	1326 x 717
RWA139	1181 x 775	1301 x 895	1326 x 920
RWA148	1315 x 695	1435 x 815	1460 x 840
RWA197	1775 x 572	1895 x 692	1920 x 717
RWA1010	895 x 895	1015 x 1015	1040 x 1040
RWA1212	1095 x 1055	1215 x 1175	1240 x 1200
RWA1313	1181 x 1181	1301 x 1301	1326 x 1326
RWA1412	1315 x 1055	1435 x 1175	1460 x 1200



Not to scale, do not scale from drawing. All details are generic in nature and should be read in conjunction with the roofing manufacturers' standard penetration details.



ADLUX Industries Ltd. ©  
 36 Olive Road, Penrose  
 P.O. Box 13866, Auckland  
 New Zealand.  
 Ph: (09) 636 6866  
 Fax: (09) 636 6846  
 Email: sales@adlux.co.nz

ECO ROOF WINDOW (Double Glazed)  
 CONCRETE ROOFING TILE (Coloursteel Flashing)  
 PITCH 15° TO 60°

DATE: 13/01/2021

DWG No: RWA-CT-CS

