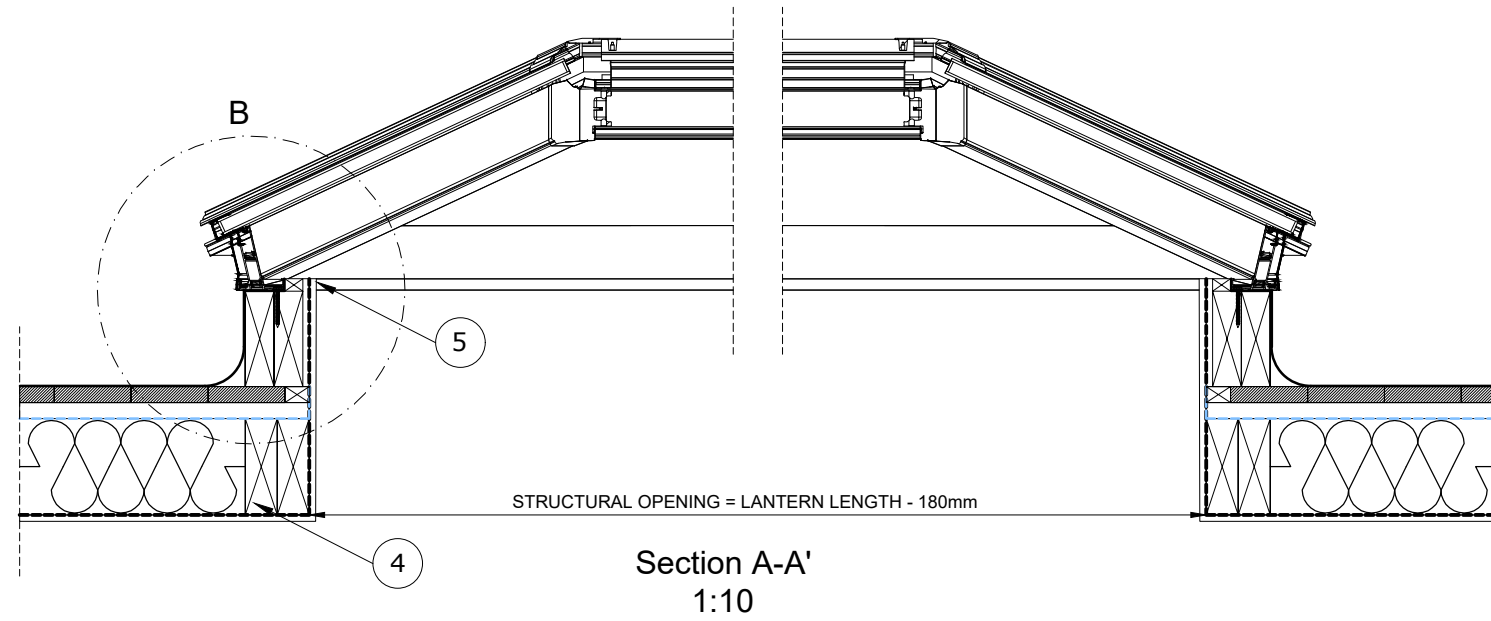
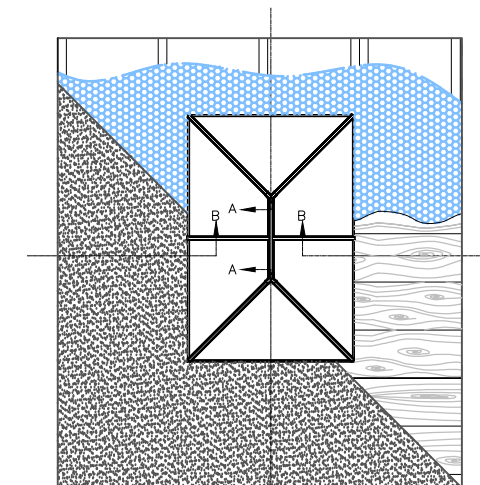
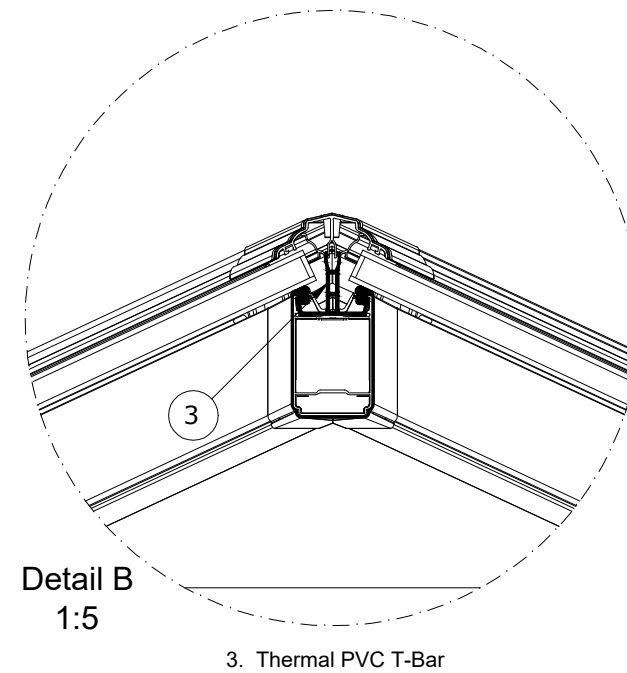
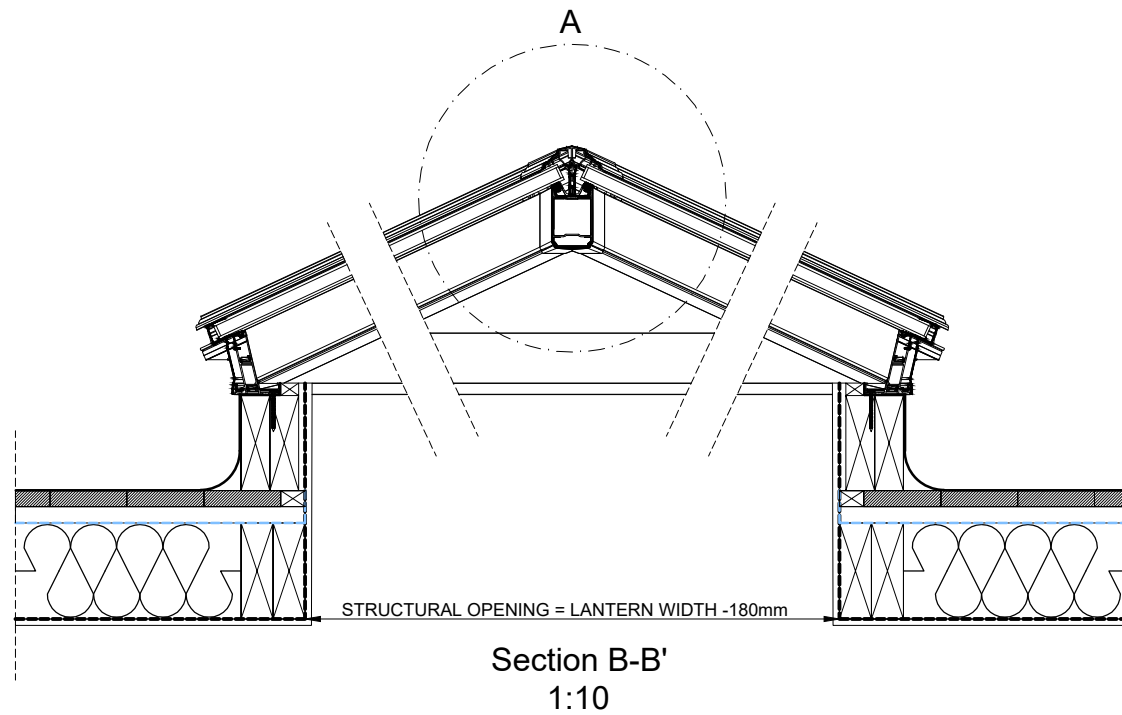


- 1. All In One Glazing Retainer
- 2. Thermally Broken Eaves Beam



- 4. Double Trimmer (where necessary)
- 5. Edge Bead (Supplied by others)



	This drawing is for informational-demonstrative purposes only and as such cannot constitute a basis for performance. All dimensions presented in this drawing should be verified on site. Roof constructions needs to be right with current building regulations. Keylite is not responsible for or the installation quality on the roof. Documentation only for personal use. Copying and sharing without permission is prohibited.		
		Frame Type 	Size Range (LxW) 3000 x 1500mm 3000 x 2000mm



**ADLUX Industries Ltd. ©**  
 36 Olive Road, Penrose  
 P.O. Box 13866, Auckland.  
 New Zealand.  
 Ph: (09) 636 6866  
 Fax: (09) 636 6846  
 email: sales@adlux.co.nz

## LANTERN ROOF LIGHT

DATE: 20/07/20

DWG No: FRL 5-6