

Top Hung/Full Extending Roof Window

The Keylite Top Hung/Fire Escape Roof Window opens to 45°. Applications of this window are ideal in roofs with a view.



Features

- ▶ **Ease of Use** – The multi stop opening feature allows the user to simply open the window and extend it to any position between 0° and 45° where the window will remain open for maximum flexibility.
- ▶ **Additional Visible Glazing** - More height means more light! The new streamlined hood, flashing and timber profiles reveal more visible glazing than ever before.
- ▶ **Click-Fit Hood** - Simply click the hood under the hood hooks and secure into position by clicking the hood in at each end. The cover flashings now require 50% fewer screws than before.
- ▶ **Recessed Fit as Standard**- Every Keylite Roof Window is recessed as standard, sitting lower in the roof than ever before.
- ▶ **New Profile Hood** - Keylite's new hood features a more sculptured design, enhancing its appearance in the roof.
- ▶ **Integrated Thermal Collar** - Unlike other roof [windows Keylite's thermal collar is integrated into the frame. The collar is activated by simply pulling the release tabs for a fast insulation solution, combating cold bridging.
- ▶ **Flick-Fit Brackets** - Keylite's unique Flick-Fit brackets are prefitted so you can lift the window straight from the box to the roof and simply select the setting for tile or slate.
- ▶ **Warm Edge Glazing** - Every Keylite Roof Window now has a warm edge glazing unit as standard, to enhance the windows performance and reduce the occurrence of condensation.
- ▶ **All Weather Ventilation** - Keylite Roof Windows all provide trickle ventilation, even with the window fully closed and securely locked. The built in ventilation filter ensures no insects pass into the room, only clean fresh air.
- ▶ **Maintenance Free Hinge** - The hinge being the most vital component of the window, is the only operational part that moves. Keylite has eliminated the maintenance requirement of this component.
- ▶ **Sash Finger Springs** - The sash hinge finger spring allows the sash to be installed back into the frame in one smooth effortless motion.
- ▶ **Means of Escape** - As a means of escape, the window will open to an unobstructed area to accommodate a safe exit, in the event of an emergency. The opening handle located at the bottom of the window is easily accessible.

Application

- ▶ Keylite recommend installing the window so that the top frame is between 1.85m - 2.20m above the floor for ease of operation.

Important note: minimum height of the lower edge must comply with NZBC F4/AS1 2.0

Operation

- ▶ The Keylite Top Hung/Full extending roof window is operated manually as standard, through rotating the handle, located along the bottom of the sash. This operation is made easy by the powerful pneumatic spring system.
- ▶ Although hinged at the top, the Keylite Top Hung/Full Extending roof window retains its ventilation flap and centre-pivoting hinge for cleaning purposes.

Guarantee

- ▶ **10 Years** - Keylite's hassle free guarantee on windows and flashings
- ▶ **3 Years** - Keylite's hassle free guarantee on blinds, accessories and electrics.

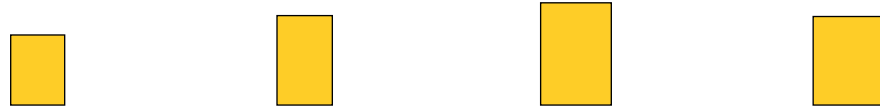
Finish Options

- ▶ Interior - White (W)
- ▶ Exterior - Grey
Conservation Black (CW)

Installation and Accessory Products

- ▶ Flashings
 - Single Installation:
 - Deep Tile (DTRF)
 - Slate (SRF)
- ▶ Blinds -
 - Black out Blind (B)





Window Type	Top Hung	Full Extending			
Window Sizes	(WxH)	780x980	780x1180	940x1600	1140x1180
White Finish					
Hi Therm Product Code		WF-FE / 04 HT	WF-FE / 05 HT	WF-FE / 07 HT	WF-FE / 08 HT

Note: No electric option available on top hung rooflights.
Other sizes are available, please contact the Keylite Sales Team for details of full range.
To order White Finish please add the prefix "W" to the code ie.

Thermal Performance

		Hi Therm [HT]
Window U value	Uw [W/m²K]	1.5
Centre pane U value	Ug [W/m²K]	1.1

Hi-Therm (HT) - Double glazed, toughened outer pane, argon gas filled cavity, laminated inner pane with enhanced noise reduction.

Note: Self-cleaning glass available upon request. For further information, please contact the Keylite technical team.

PSI Values

	W/m²K
Roof Window Head	0.058
Roof Window Jamb	0.058
Roof Window Sill	0.049

Glazing Option

Glazing Option - Results			Hi Therm [HT]
UV	Transmittance (%)	τ_{UV}	0
Light	Transmittance for standard illuminant D65 (%)	τ_v	81
	Reflectance for standard illuminant D65 (%) ^(*)	ρ_v	12
	Reflectance for standard illuminant D65 (%) ^(**)	ρ_v	12
	General colour rendering index (%)	Ra	98
Energy	Solar direct transmittance (%)	τ_e	53
	Solar direct reflectance (%) ^(*)	ρ_e	28
	Solar direct reflectance (%) ^(**)	ρ_e	23
	Solar direct absorption (%) ^(*)	a	19
	Total solar energy transmittance (Solar Factor) EN410 (%) ^(*)	g	64
	Shading coefficient (+g_DIN/0.87) ^(*)	sc	0.73

^(*) Incident Radiation from the outside

^(**) Incident Radiation from the inside

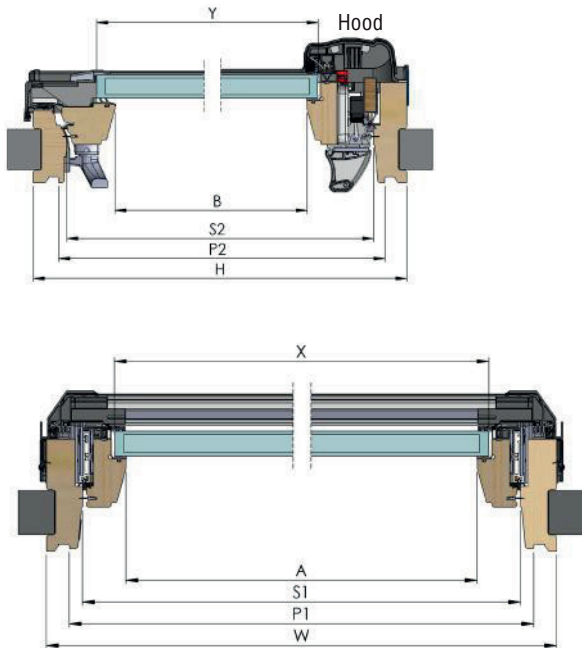
Maintenance

- ▶ The glazing pane of a Keylite Top Hung/ Fire Escape Roof Window can be cleaned with a soft, clean cloth/chamois or non-metal squeegee. Clean water will be sufficient for cleaning the pane.
- ▶ The sash can be rotated through 180° where the outer pane can become available for cleaning once locked in position using the plastic locking mechanism located along the top of the sash.

Technical Information

Window Type	Window Size	External Frame Size		Sash Size		Glazing Size		Visible Glazing Size		Plasterboard		Natural Daylight Area (m ²)	Equivalent Ventilation Area (mm ²)	Structural Opening Size Required	
		(mm)		(mm)		(mm)		(mm)		(mm)				(mm)	
		W	H	S1	S2	X	Y	A	B	P1	P2	W	H		
TFE	04	780	980	690	890	626	793	600	758	726	920	0.455	6,567	820	1020
TFE	05	780	1180	690	1090	626	993	600	958	726	1120	0.575	6,567	820	1220
TFE	07	940	1600	850	1510	786	1413	760	1378	886	1540	1.047	7,914	980	1640
TFE	08	1140	1180	1050	1090	986	993	960	958	1086	1120	0.920	9,597	1180	1220

Cross Section



Statutory Regulations

* **Important:** Always check with your local Building Control Department with regards to the position of the window, prior to installation.

Keylite New Zealand Distribution

Adlux Industries Ltd

36 Olive Rd
Penrose
Auckland

Customer Service: (09) 636 6866

Email: sales@adlux.co.nz