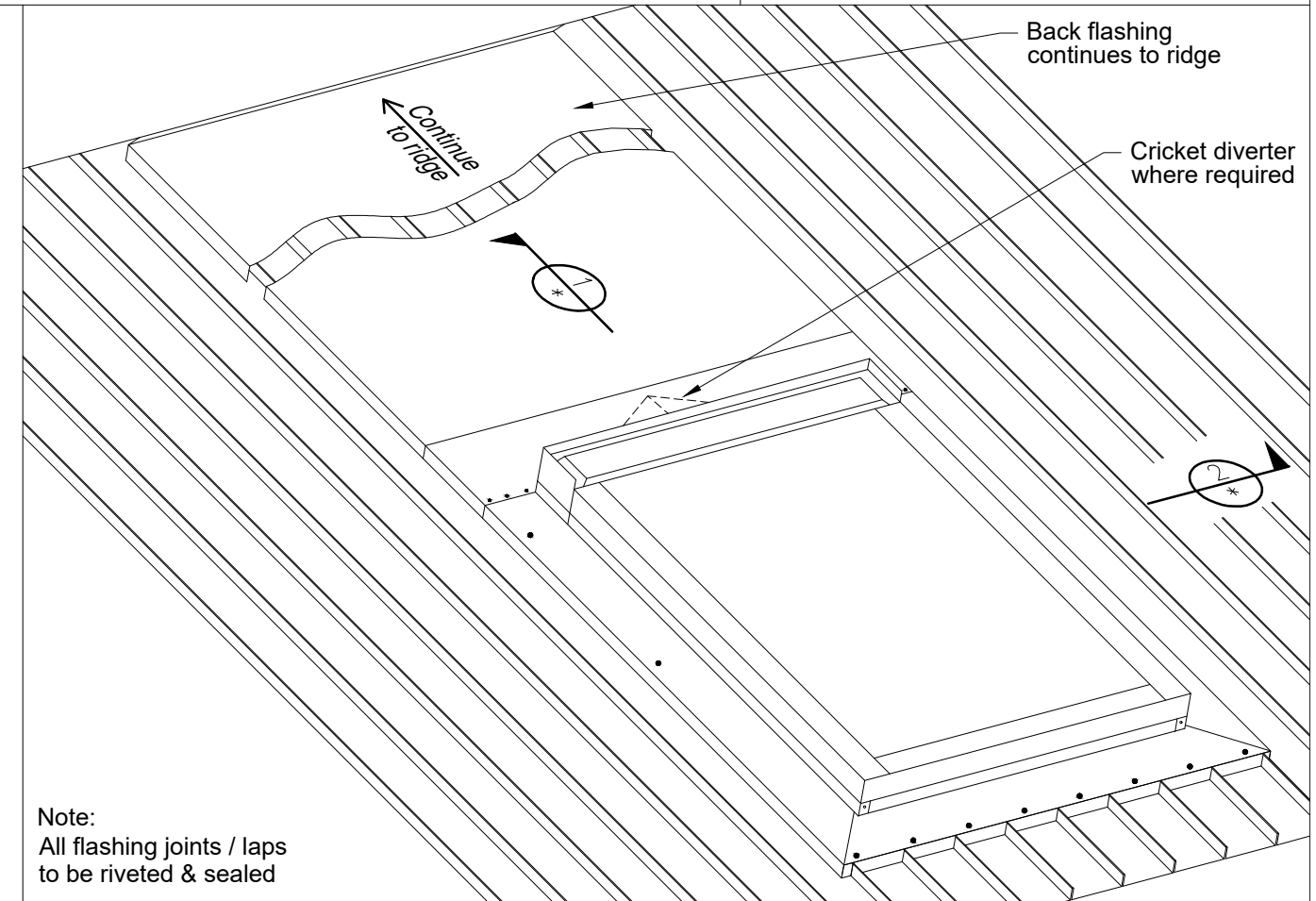


Keylite Top Hung Electric - Trim Size					
Model No.	Keylite Overall			Trim Size	
	wide		high	wide	high
RWE-01	550	x	780	590	x 820
RWE-02	550	x	980	590	x 1020
RWE-04	780	x	980	820	x 1020
RWE-05	780	x	1180	820	x 1220
RWE-06	780	x	1400	820	x 1440
RWE-08A	1140	x	780	1180	x 820
RWE-08	1140	x	1180	1180	x 1220



Not to scale, do not scale from drawing. All details are generic in nature and should be read in conjunction with the roofing manufacturers' standard penetration details.



ADLUX Industries Ltd. ©
 36 Olive Road, Penrose
 P.O. Box 13866, Auckland
 New Zealand.
 Ph: (09) 636 6866
 Fax: (09) 636 6846
 Email: sales@adlux.co.nz

TOP HUNG TROUGH SECTION PROFILE (Back Tray) PITCH 15° TO 60°



DATE: 24/09/2019

DWG No: RWE-TR-bt