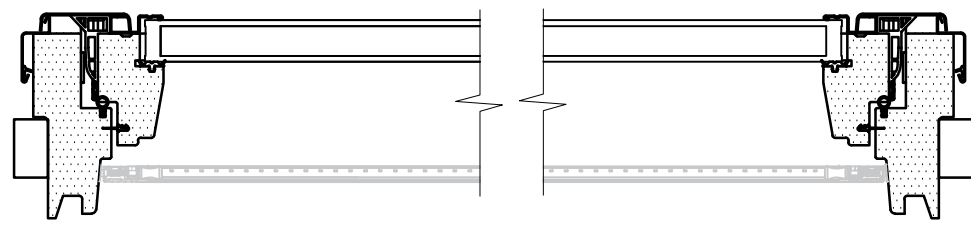
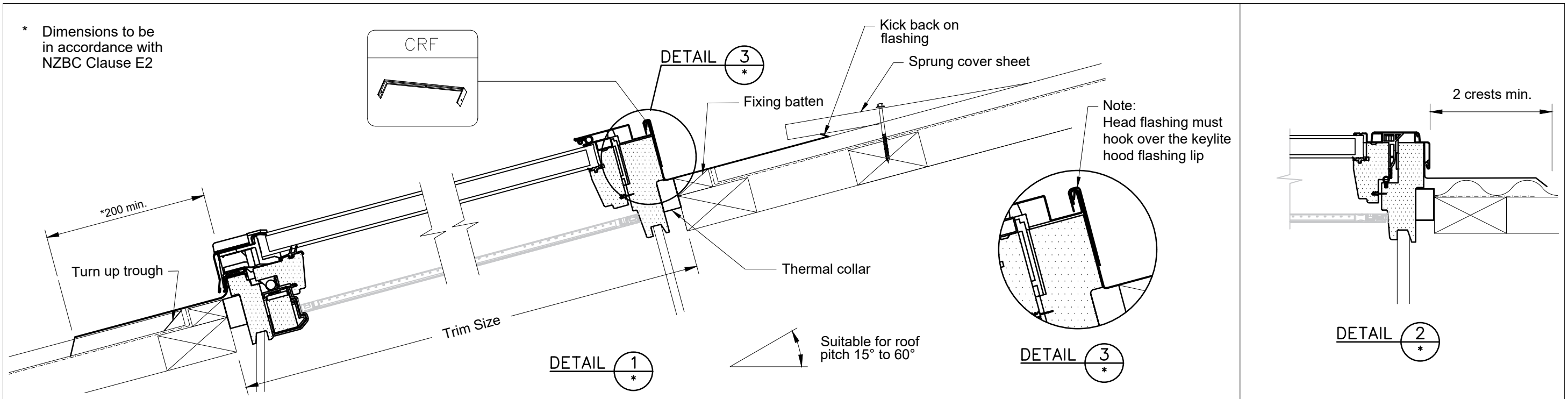
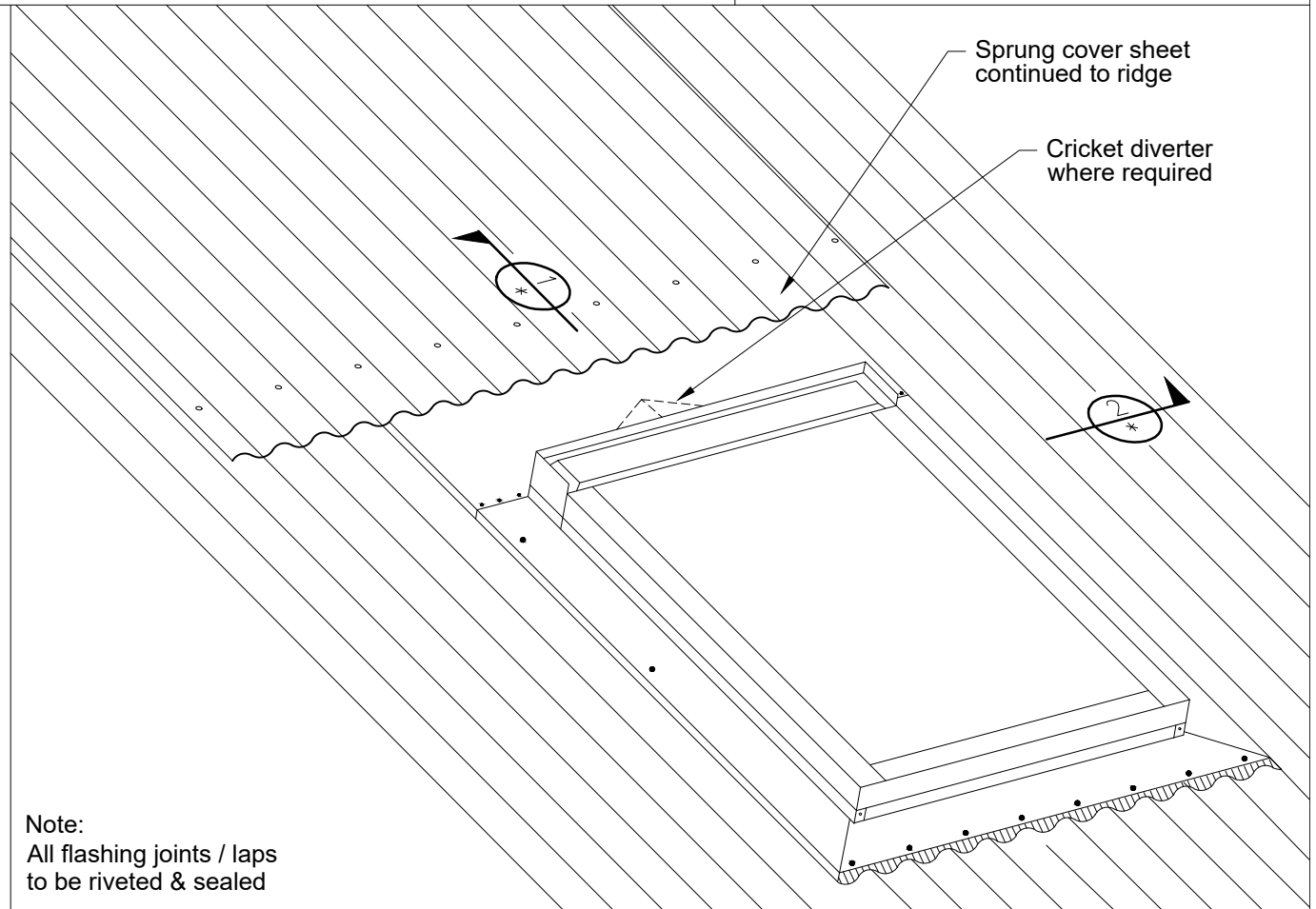


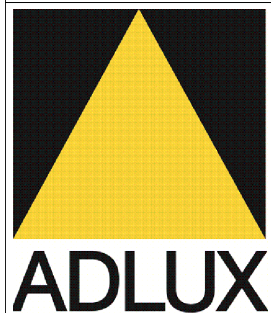
* Dimensions to be in accordance with NZBC Clause E2



Keylite Top Hung Electric - Trim Size					
Model No.	Keylite Overall		Trim Size		
	wide	high	wide	high	high
RWE-01	550	780	590	820	820
RWE-02	550	980	590	1020	1020
RWE-04	780	980	820	1020	1020
RWE-05	780	1180	820	1220	1220
RWE-06	780	1400	820	1440	1440
RWE-08A	1140	780	1180	820	820
RWE-08	1140	1180	1180	1220	1220



Not to scale, do not scale from drawing. All details are generic in nature and should be read in conjunction with the roofing manufacturers' standard penetration details.



ADLUX Industries Ltd. ©
 36 Olive Road, Penrose
 P.O. Box 13866, Auckland
 New Zealand.
 Ph: (09) 636 6866
 Fax: (09) 636 6846
 Email: sales@adlux.co.nz

TOP HUNG CORRUGATED ROOFING PROFILE (Sprung sheet) PITCH 15° TO 60°



DATE: 0/08/19

DWG No: RWE-CR-ss