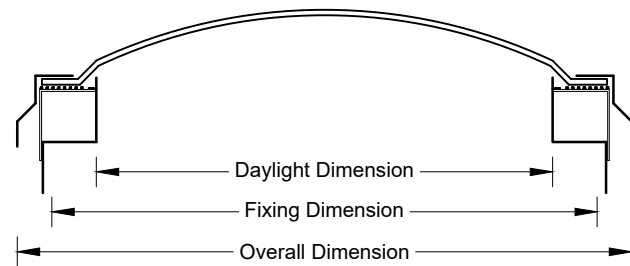
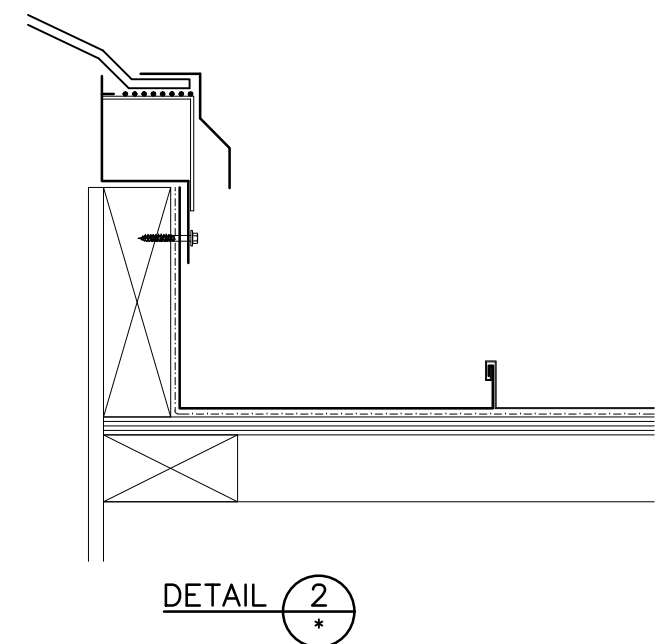
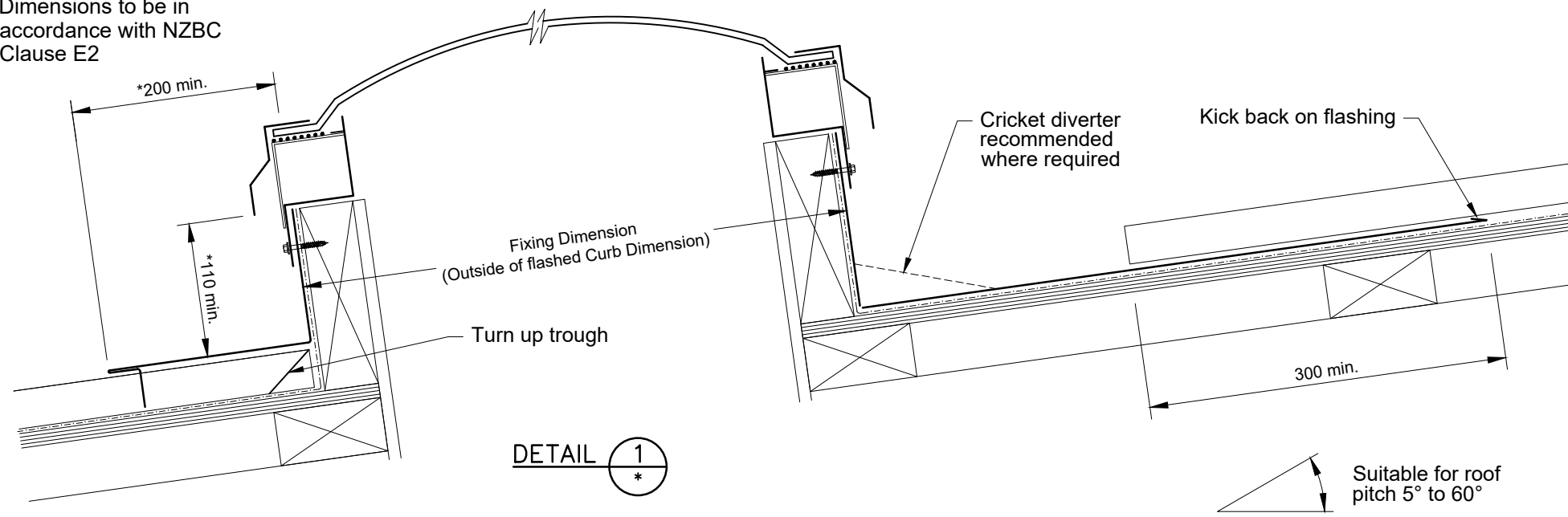
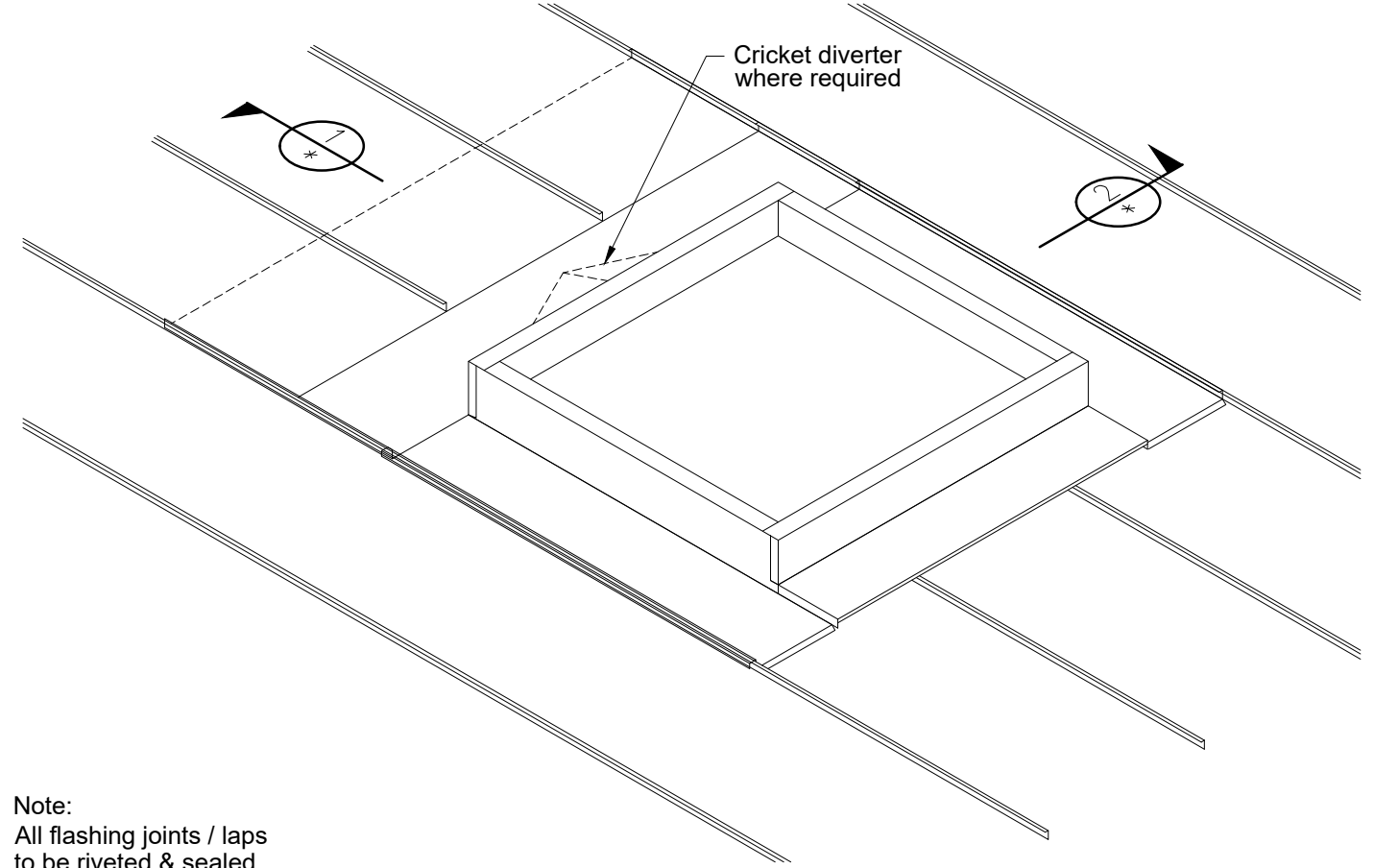


* Dimensions to be in accordance with NZBC Clause E2

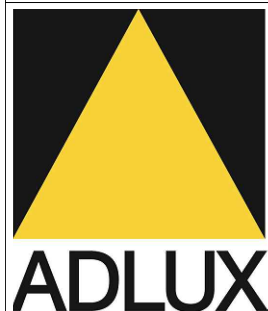


Spanlite / Giant Dome Vent			
Model No.	Daylight Dimension (mm)	Fixing Dimension (mm)	Overall Dimension (mm)
SPv500	500 x 500	610 x 610	670 x 670
SPv800	800 x 800	910 x 910	970 x 970
SPv1000	1000 x 1000	1110 x 1110	1170 x 1170
SPv1200	1200 x 1200	1310 x 1310	1370 x 1370
SPv1810	1800 x 1000	1910 x 1110	1970 x 1170
GDv1616	1525 x 1525	1635 x 1635	1695 x 1695
GDv2014	1885 x 1285	1995 x 1395	2055 x 1455
GDv2020	1835 x 1835	1945 x 1945	2005 x 2005
GDv2418	2270 x 1670	2380 x 1780	2440 x 1840
GDv2520	2370 x 1835	2480 x 1945	2540 x 2005
GDv2118	2670 x 1670	2780 x 1780	2840 x 1840



Note:
All flashing joints / laps
to be riveted & sealed

Not to scale, do not scale from drawing. All details are generic in nature and should be read in conjunction with the roofing manufacturers' standard penetration details.



ADLUX Industries Ltd. ©
36 Olive Road, Penrose
P.O. Box 13866, Auckland
New Zealand.
Ph: (09) 636 6866
Fax: (09) 636 6846
Email: sales@adlux.co.nz

SPANLITE / GIANT DOME vent
STANDING SEAM ROOFING PROFILE
PITCH 5° TO 60°

DATE: 13/02/19

DWG No: SPv/GDv-SS