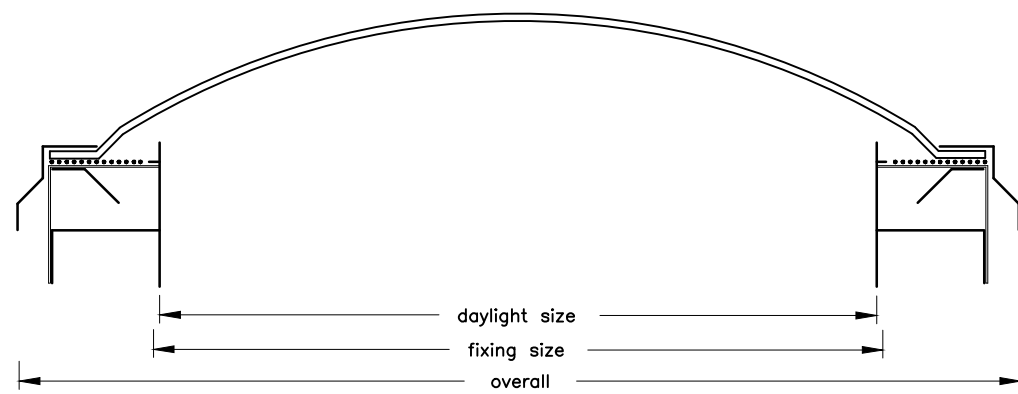
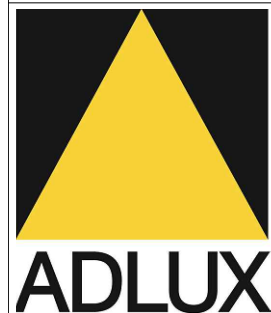
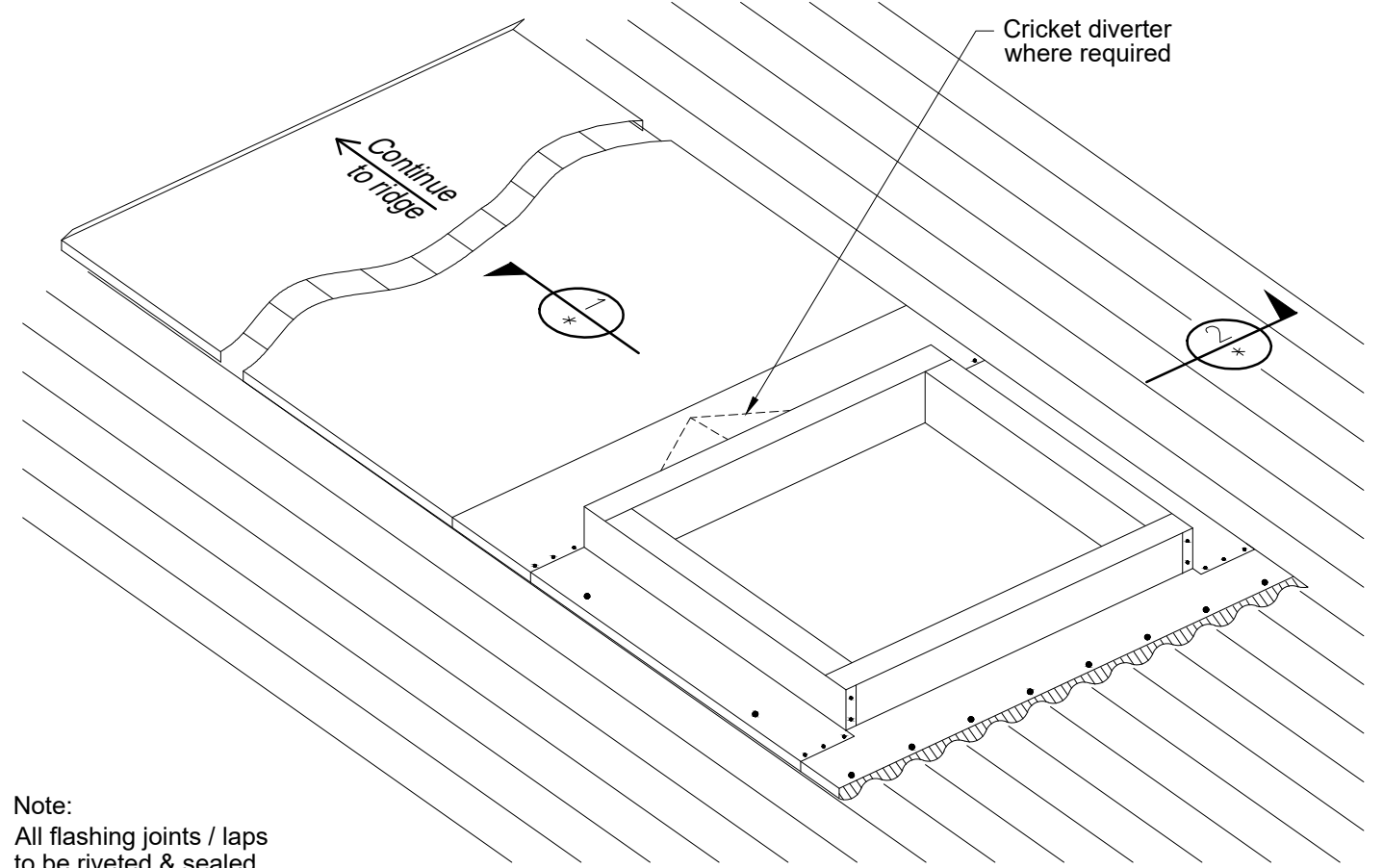


\* Dimensions to be in accordance with NZBC Clause E2



Low Profile Vent									
Model No.	DAYLIGHT DIMENSION		FIXING DIMENSION		OVERALL DIMENSION				
LPv430	415	x	415	420	x	420	635	x	635
LPv600	600	x	600	605	x	605	820	x	820
LPv725	720	x	720	725	x	725	940	x	940
LPv743	720	x	415	725	x	420	940	x	635
LPv815	815	x	815	820	x	820	1035	x	1035
LPv1000	1015	x	1015	1020	x	1020	1235	x	1235
LPv1043	1015	x	415	1020	x	420	1235	x	635
LPv1072	1015	x	720	1020	x	725	1235	x	940

Not to scale, do not scale from drawing. All details are generic in nature and should be read in conjunction with the roofing manufacturers' standard penetration details.



ADLUX Industries Ltd. ©  
 36 Olive Road, Penrose  
 P.O. Box 13866, Auckland  
 New Zealand.  
 Ph: (09) 636 6866  
 Fax: (09) 636 6846  
 Email: sales@adlux.co.nz

## LOW PROFILE VENT CORRUGATED ROOFING PROFILE (Back Tray) PITCH 5° TO 60°

DATE: 18/04/19

DWG No: LPv-CR-bt