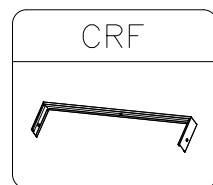


Note:  
Head flashing must  
hook over the keylite  
hood flashing lip



DETAIL 3

Kick back on  
flashing  
Sprung cover sheet

Fixing batten

DETAIL 3

\*200 min.

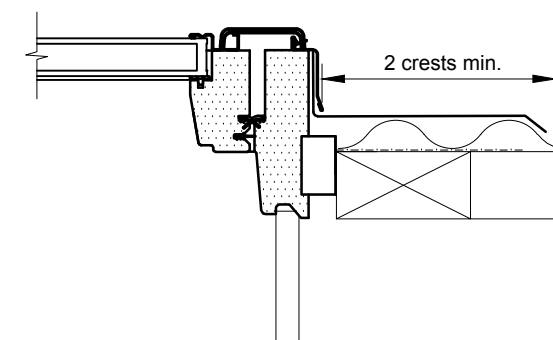
Turn up trough

Trim Size

DETAIL 1

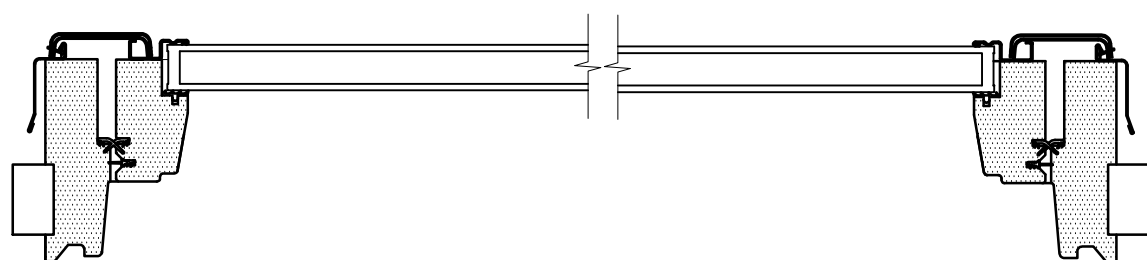
Suitable for roof  
pitch 15° to 60°

Thermal collar  
\* Dimensions to be  
in accordance with  
NZBC Clause E2



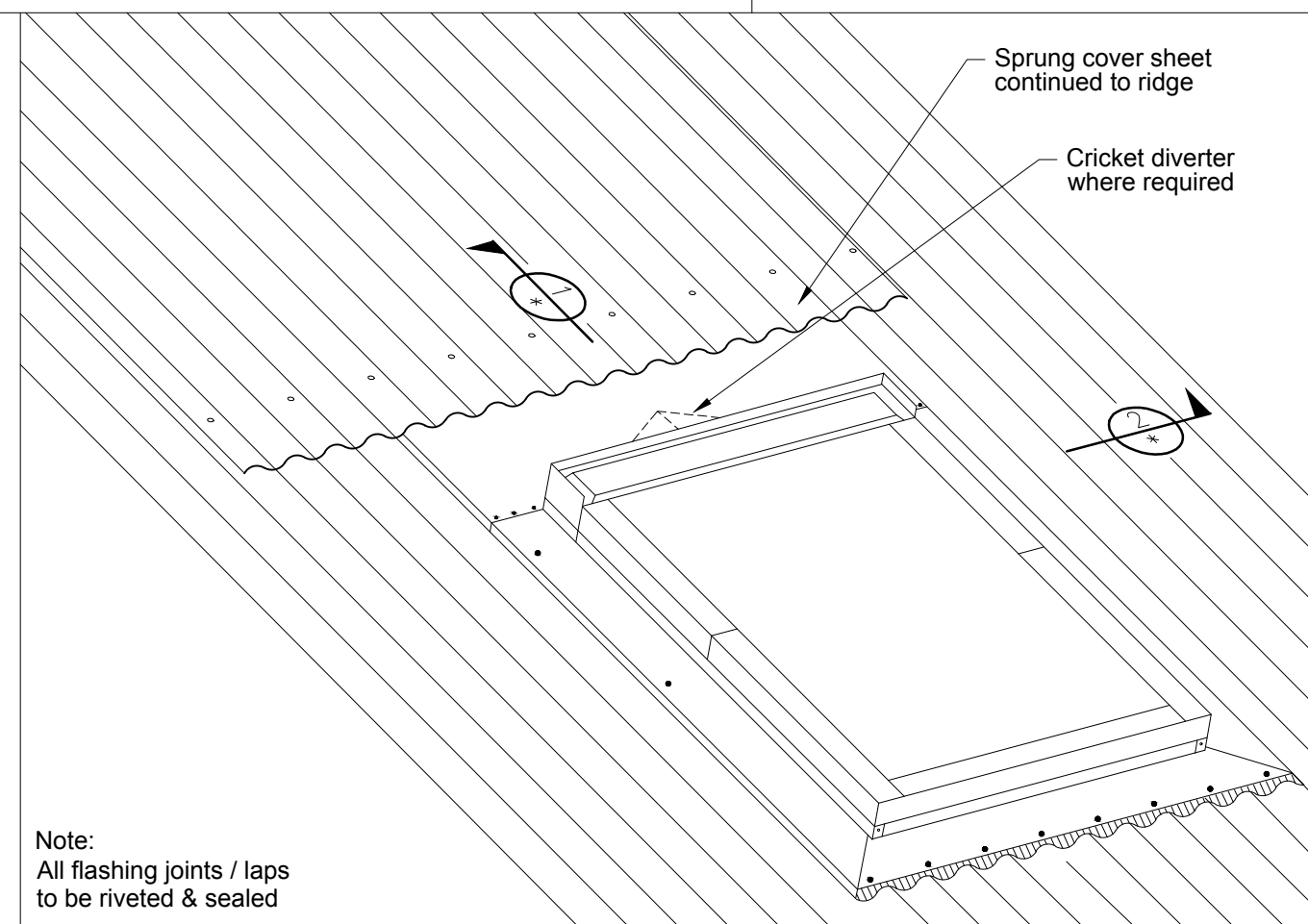
DETAIL 2

2 crests min.



**Keylite Centre Pivot - Trim Size**

Model No.	Keylite Overall		Trim Size	
	wide	high	wide	high
CP-01	550	780	590	820
CP-02	550	980	590	1020
CP-04	780	980	820	1020
CP-05	780	1180	820	1220
CP-06	780	1400	820	1440
CP-08	1140	1180	1180	1220
CP-08F	1140	1400	1180	1440

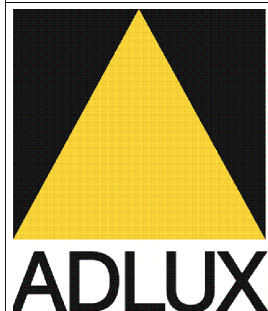


Sprung cover sheet  
continued to ridge

Cricket diverter  
where required

Note:  
All flashing joints / laps  
to be riveted & sealed

Not to scale, do not scale from drawing. All details are generic in nature and should be read in conjunction with the roofing manufacturers' standard penetration details.



ADLUX Industries Ltd. ©  
36 Olive Road, Penrose  
P.O. Box 13866, Auckland  
New Zealand.  
Ph: (09) 636 6866  
Fax: (09) 636 6846  
Email: sales@adlux.co.nz

## CENTRE PIVOT CORRUGATED ROOFING PROFILE (Sprung sheet) PITCH 15° TO 60°



DATE: 18/04/19

DWG No: CP-CR-ss