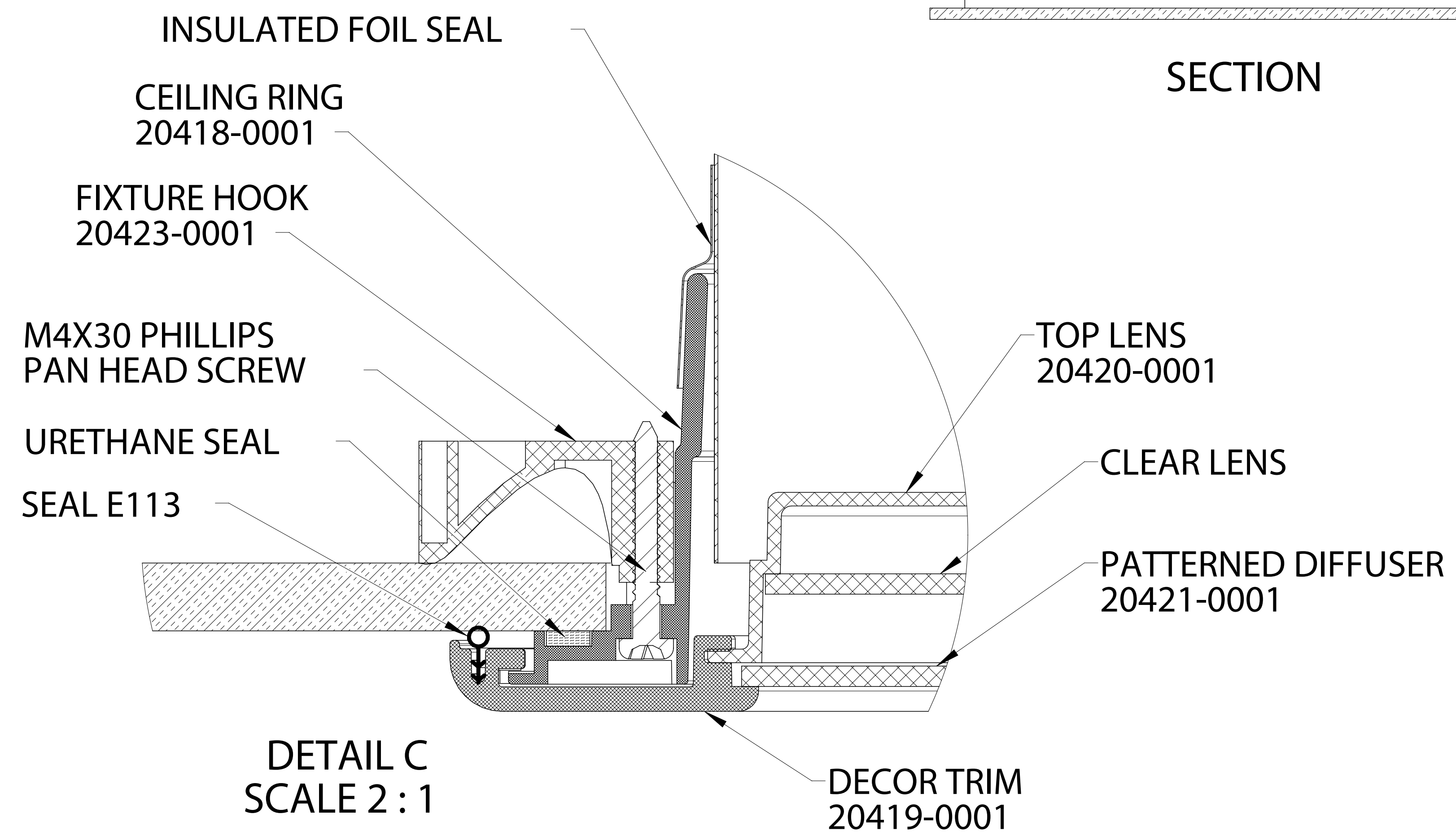
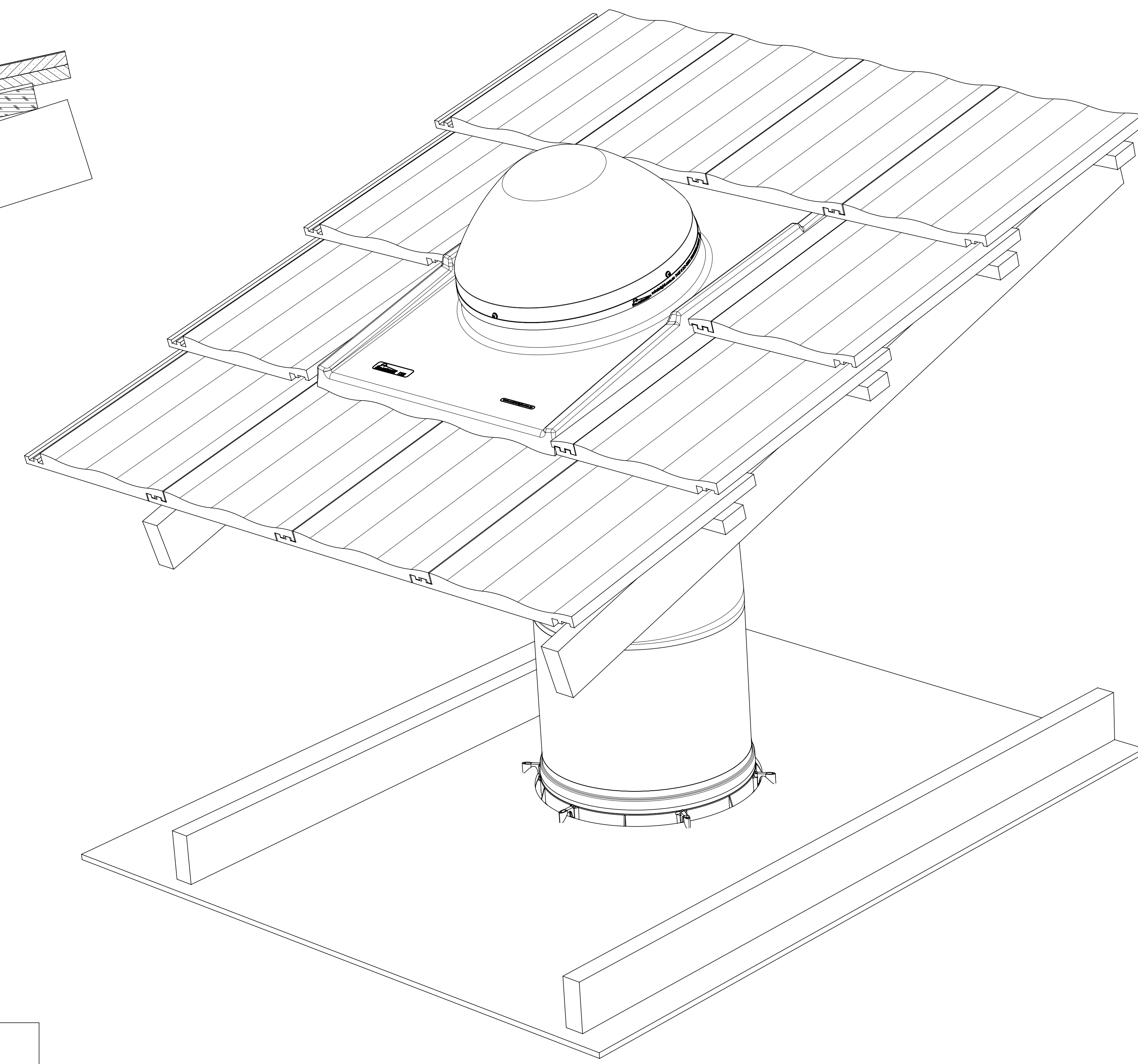
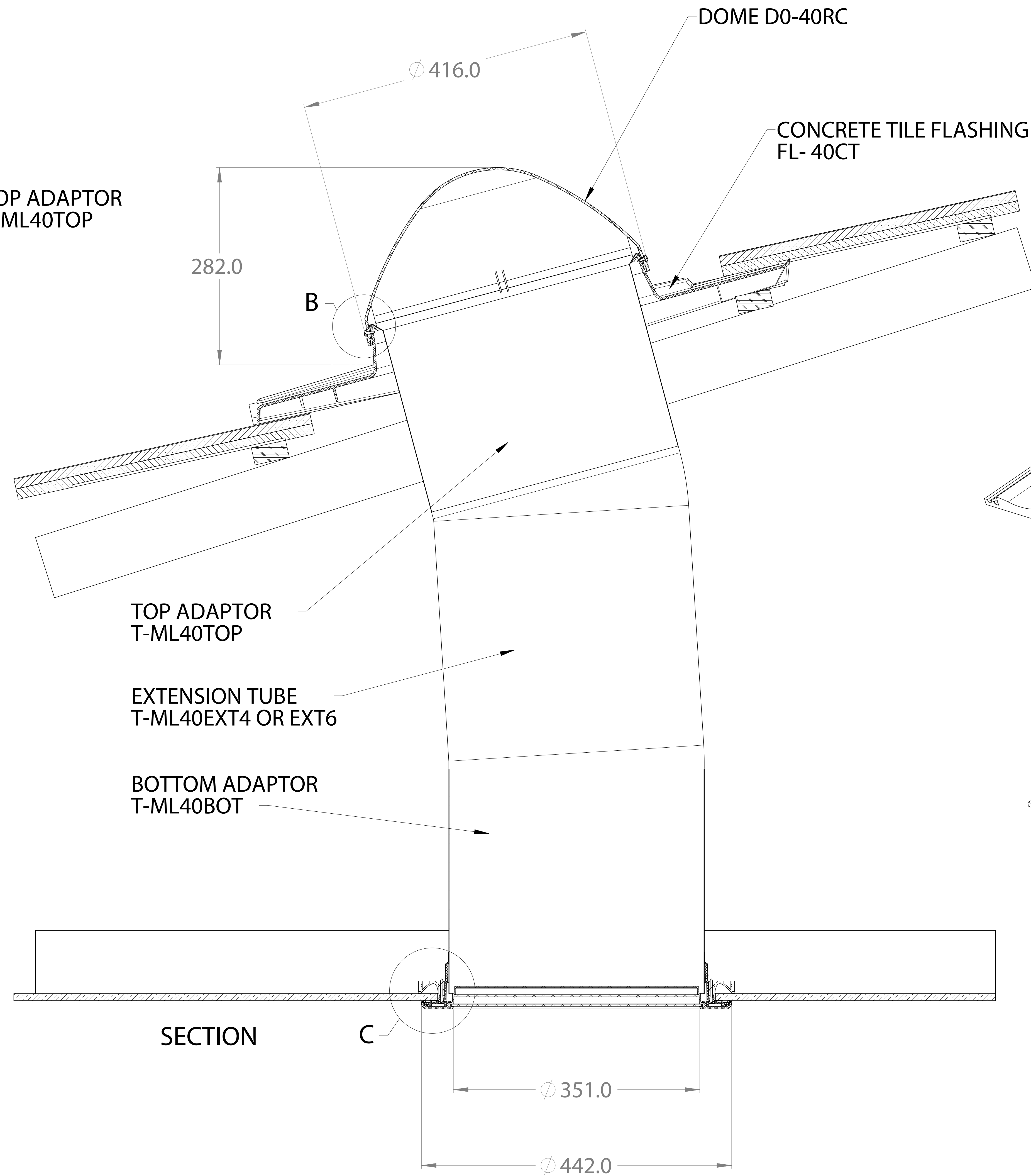
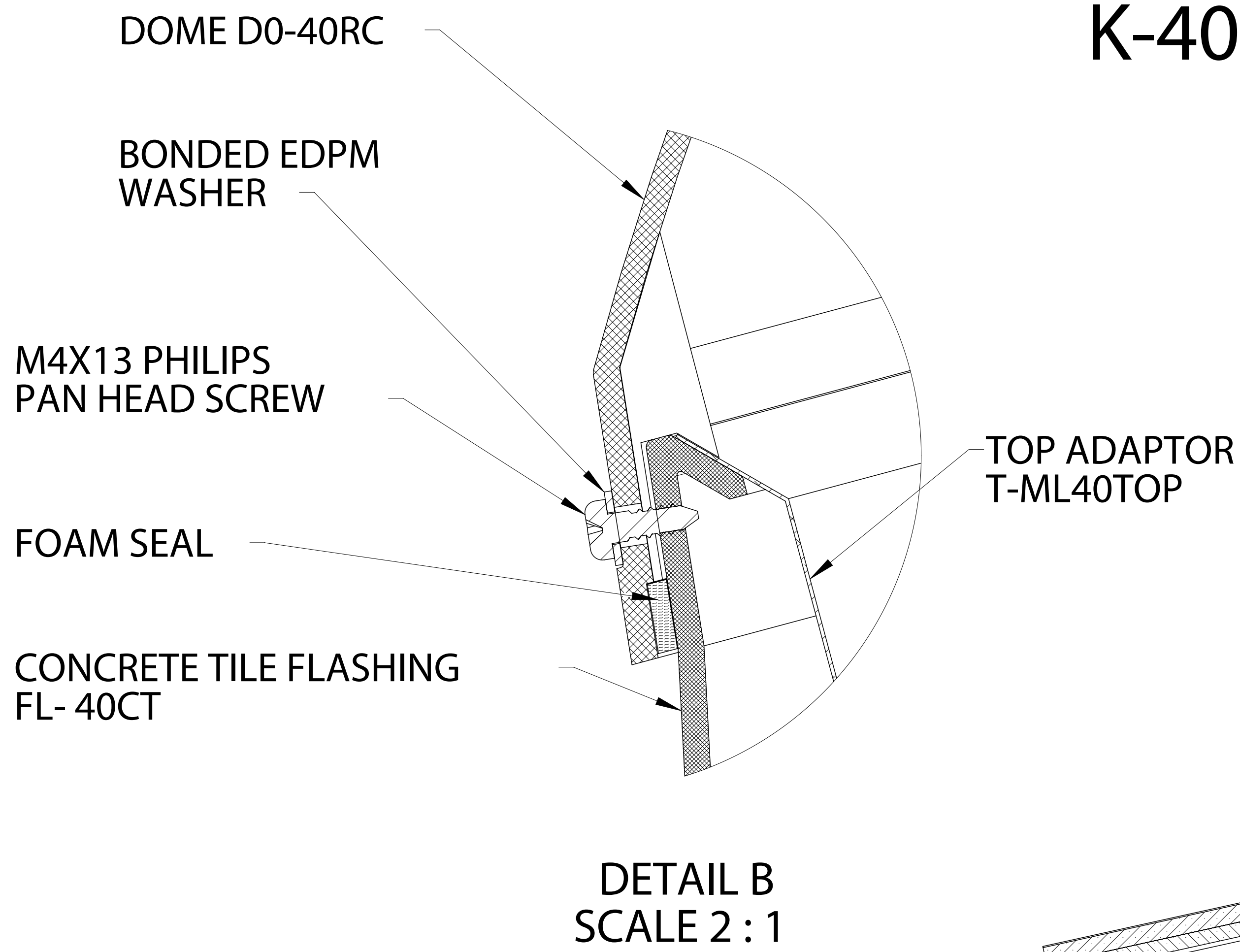


K-40MLCT



NOTES

1. STRUCTURAL ELEMENTS SHOWN FOR REFERENCE ONLY
2. ALL DIMENSIONS IN METRIC MM



ALL DIM IN MM DO NOT SCALE 3RD ANGLE PROJECTION AS1100	THIS PRINT Thursday, 11 September 2014 11:14:09 AM
THIS IS THE CONTROL DRAWING FOR THE CAD FILE: DRAWINGNAME-REVISION.EXTENSION	SHEET SIZE SHEET NUMBER SHEET SCALE
GENERAL TOLERANCES (UNLESS OTHERWISE STATED): X. = ±1.000 XX = ±0.250 XXX = ±0.025 (X) = REF. DIM.	A0 1 / 1 1:4
DRAWING NAME	REVISION

**400 MAXLIGHT KIT
 FOR CONCRETE TILE APPLICATION**

A