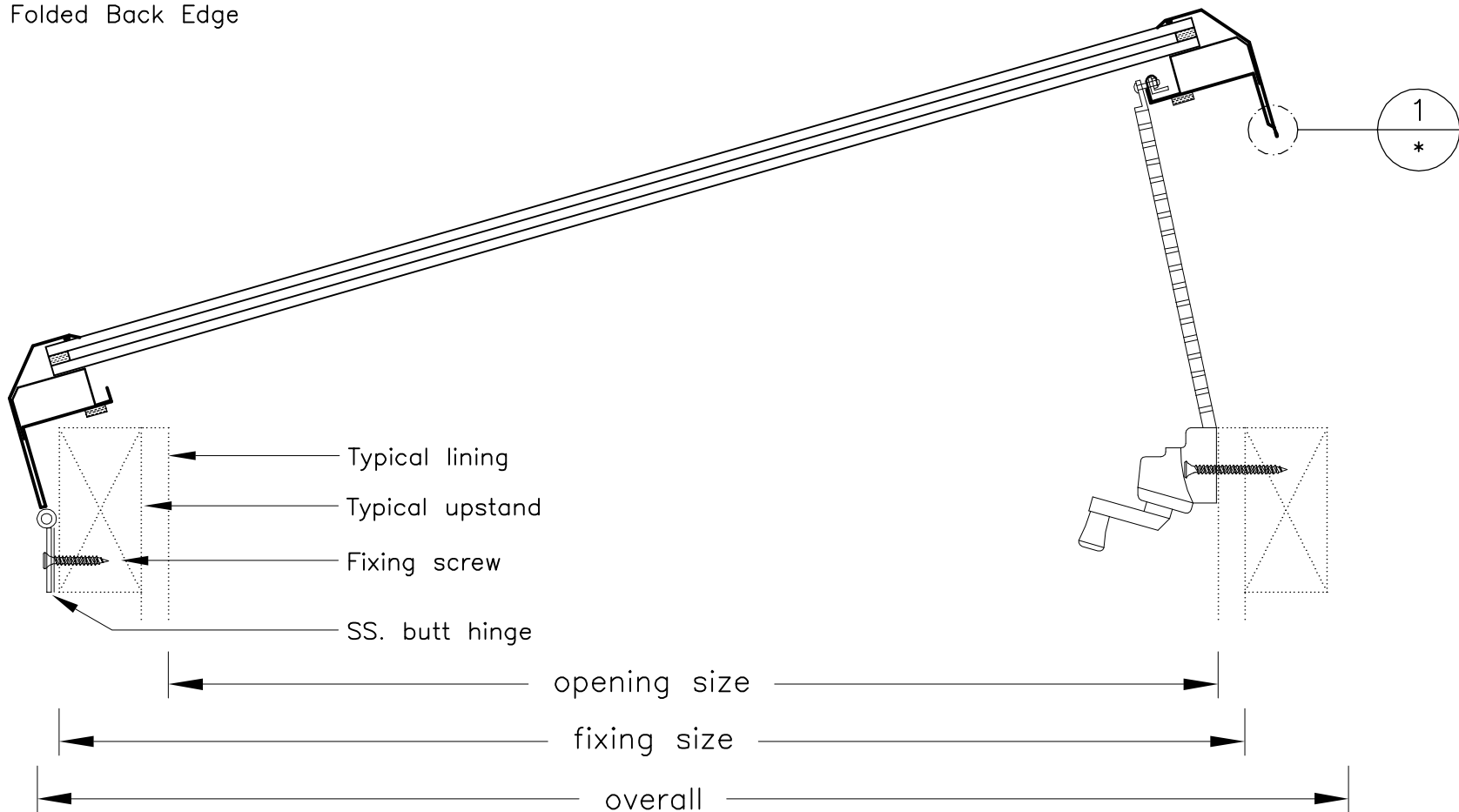


Detail 1
*



ADLUX Industries Ltd. ©
 42 Selwyn St, Onehunga.
 P.O. Box 13866, Auckland.
 New Zealand.
 Ph: (09) 636 6866
 Fax: (09) 636 6846
 email: sales@adlux.co.nz

ROOF WINDOW OPENING (Double Glazed)

SASH

DATE: 02 / 12 / 05

DWG No: RWS-DG

