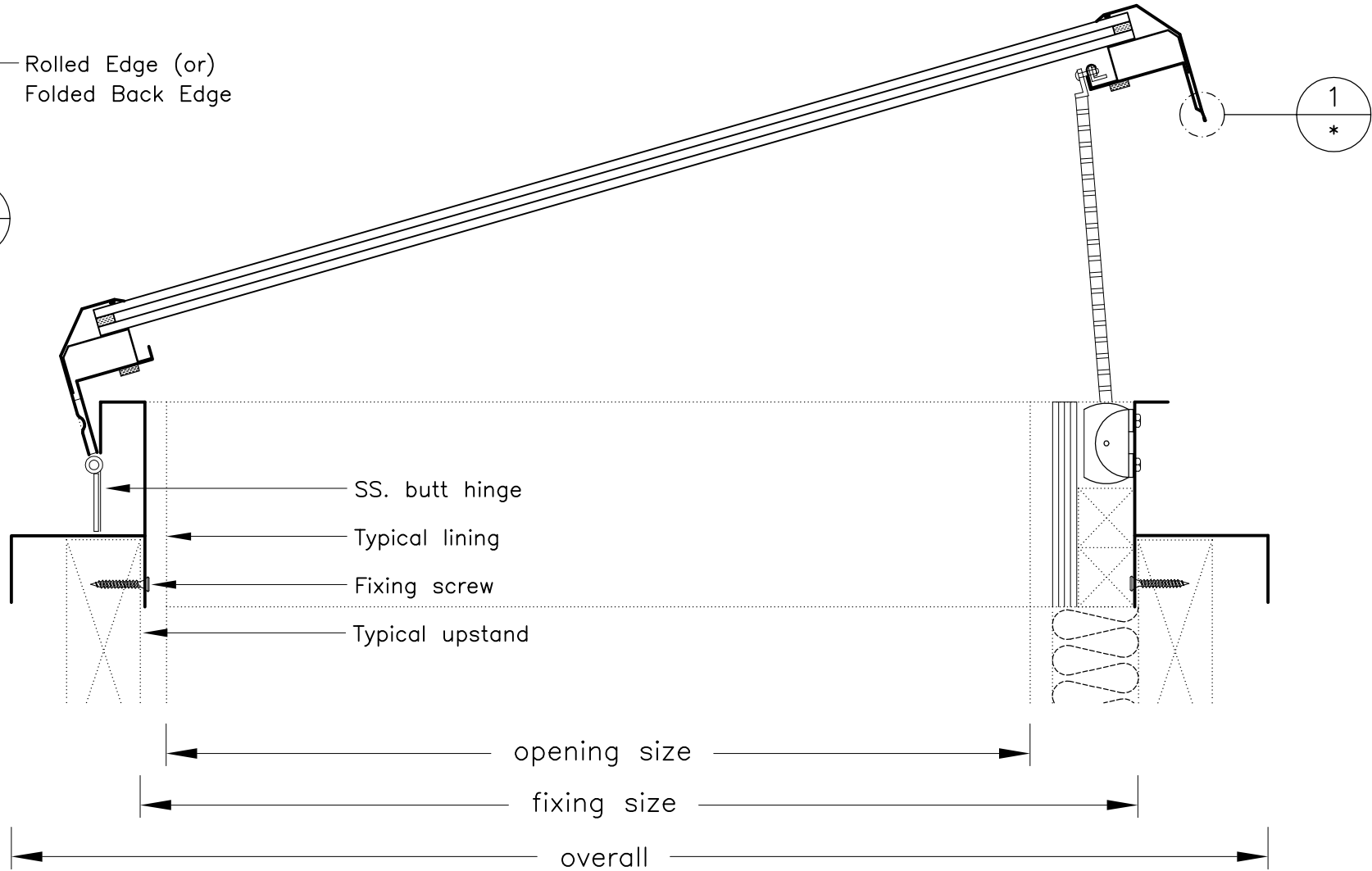


Detail 1  
\*



**ADLUX Industries Ltd. ©**  
 42 Selwyn St, Onehunga.  
 P.O. Box 13866, Auckland.  
 New Zealand.  
 Ph: (09) 636 6866  
 Fax: (09) 636 6846  
 email: sales@adlux.co.nz

**ROOF WINDOW OPENING (electric) Double Glazed,  
 CONCEALED MOTOR LAYOUT**

DATE: 27 / 07 / 11

DWG No: RWBe-DGcn

