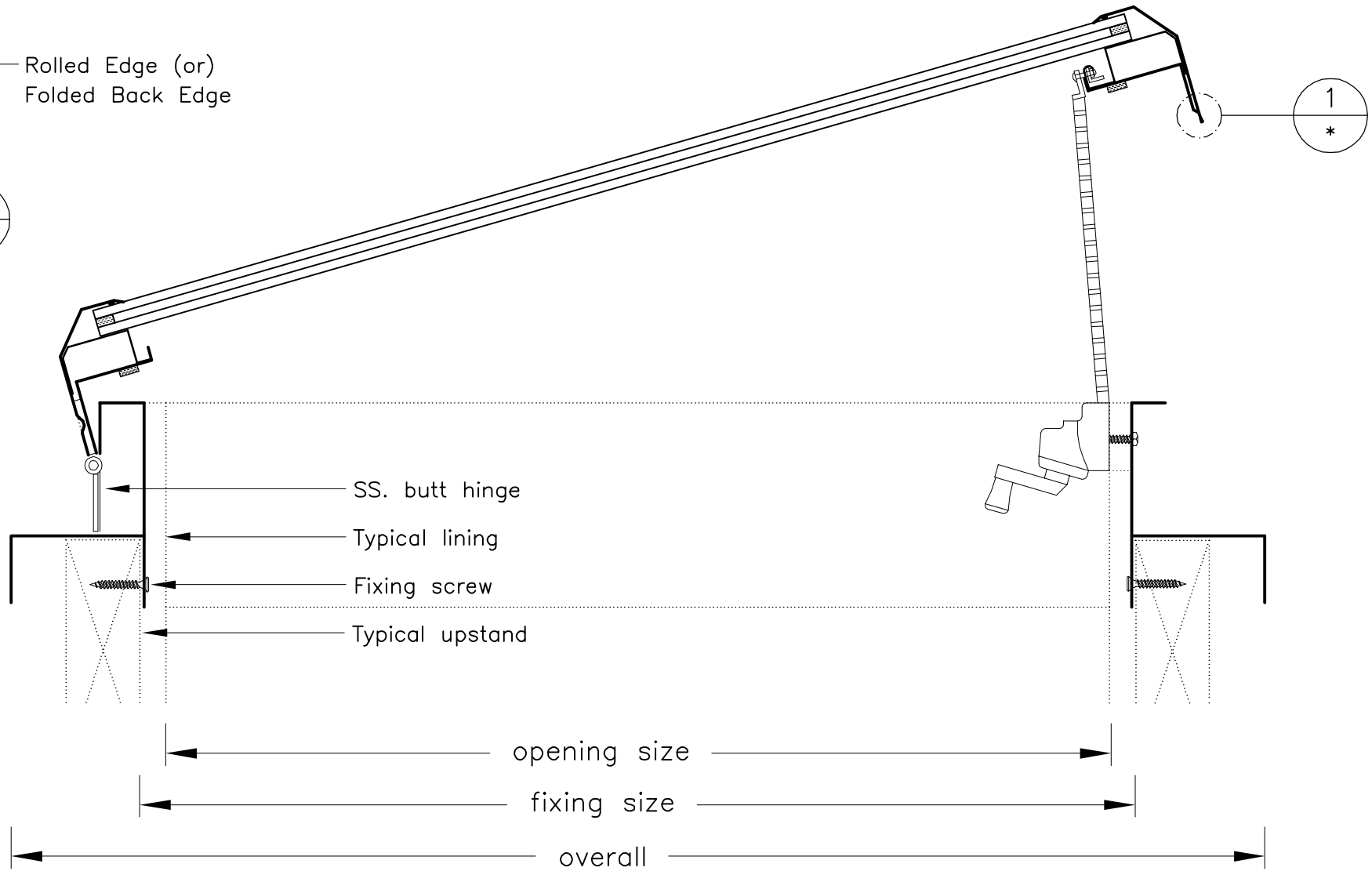


Detail 1  
\*



ADLUX Industries Ltd. ©  
 42 Selwyn St, Onehunga.  
 P.O. Box 13866, Auckland.  
 New Zealand.  
 Ph: (09) 636 6866  
 Fax: (09) 636 6846  
 email: sales@adlux.co.nz

ROOF WINDOW OPENING (Double Glazed)  
 with BASE

DATE: 02 / 12 / 05

DWG No: RWB-DG

